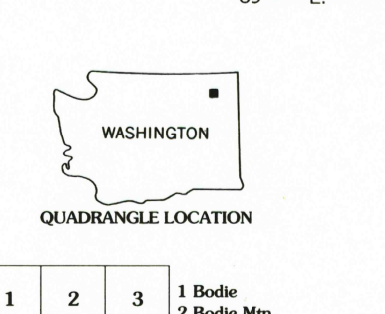
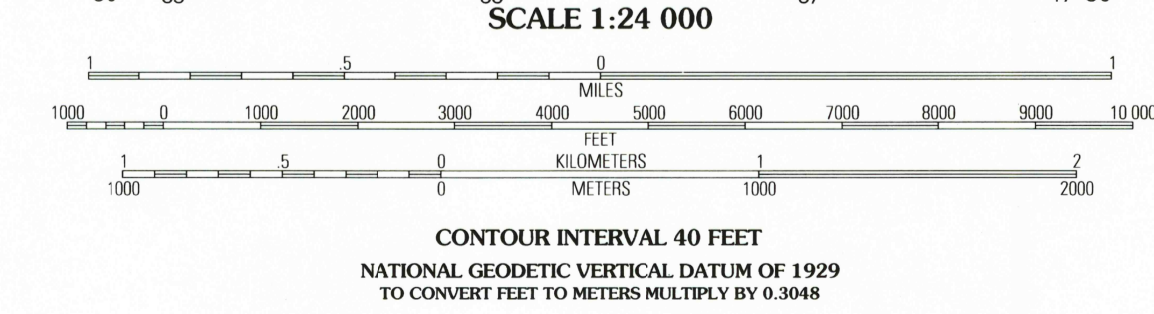
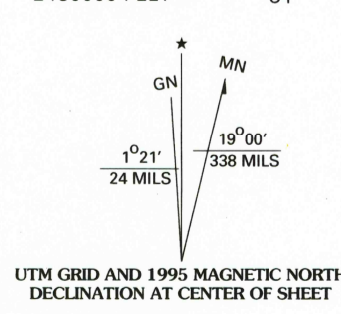


Produced by the U.S. Geological Survey
Revised by the U.S. Forest Service
Areas outside the National Forest System lands may not have been revised.
Control by USGS and NOS/NOAA
Compiled from aerial photographs taken 1983. Revised from aerial photographs taken 1994. Partial field check by U. S. Forest Service 1992.
North American Datum of 1927 (NAD 27). Projection and 10 000-foot ticks: Washington coordinate system, north zone (Lambert conformal conic). Blue 1000-meter Universal Transverse Mercator ticks, zone 11.
North American Datum of 1983 (NAD 83) is shown by dashed corner ticks. The values of the shift between NAD 27 and NAD 83 for 7.5-minute intersections are obtainable from National Geodetic Survey NADCON software.
Non-National Forest System lands within the National Forest System may exist in other National or State reservations.
This map is not a legal land line or ownership document. Public lands are subject to change and leasing, and may have access restrictions; check with local offices. Obtain permission before entering private lands.



HIGHWAYS AND ROADS

Interstate		Primary highway	
U. S.		Secondary highway	
State		Light-duty road	
County		Paved	
National Forest, suitable for passenger cars		Gravel	
National Forest, suitable for high clearance vehicles		Dirt	
National Forest Trail		Composition unspecified	
		Unimproved; 4 wheel drive	
		Trail	
		Gate	

STORM KING MOUNTAIN, WASH.
48118-F7-OQ-024
1992
DMA 4863 II NW - SERIES V877



THIS MAP COMPLIES WITH NATIONAL MAP ACCURACY STANDARDS
FOR SALE BY U.S. GEOLOGICAL SURVEY
DENVER, COLORADO 80225
A FOLDER DESCRIBING TOPOGRAPHIC MAPS AND SYMBOLS IS AVAILABLE ON REQUEST