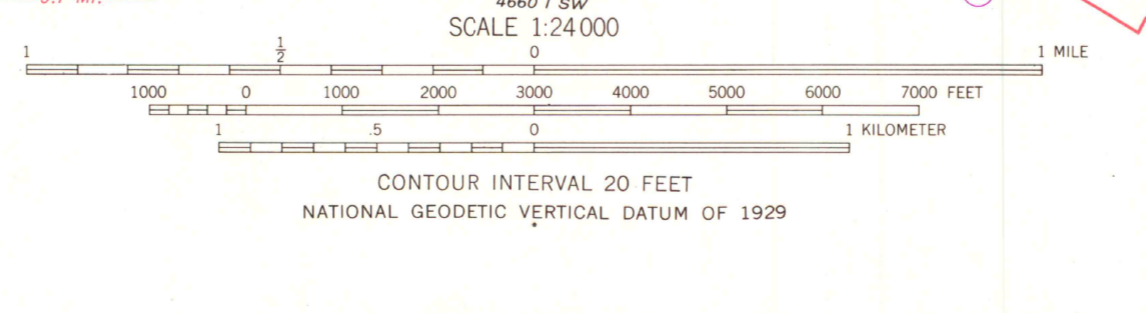
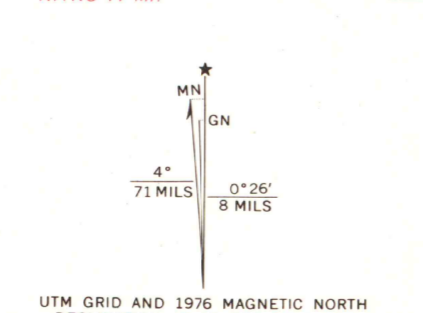


Mapped, edited, and published by the Geological Survey  
Control by USGS and USC&GS  
Topography from aerial photographs by photogrammetric methods  
Aerial photographs taken 1955. Field check 1958  
Polyconic projection. 1927 North American datum  
10,000-foot grid based on West Virginia coordinate system,  
south zone  
1000-meter Universal Transverse Mercator grid ticks,  
zone 17, shown in blue  
Fine red dashed lines indicate selected fence and field lines  
visible on aerial photographs. This information is unchecked  
Red tint indicates area in which only landmark buildings are shown  
Unlabeled wells are gas wells  
Revisions shown in purple compiled from aerial photographs  
taken 1971 and 1976. This information not field checked



ROAD CLASSIFICATION

Heavy-duty	Light-duty
Medium-duty	Unimproved dirt
Interstate Route	U.S. Route
	State Route

THIS MAP COMPLIES WITH NATIONAL MAP ACCURACY STANDARDS  
FOR SALE BY U.S. GEOLOGICAL SURVEY, RESTON, VIRGINIA 22092  
A FOLDER DESCRIBING TOPOGRAPHIC MAPS AND SYMBOLS IS AVAILABLE ON REQUEST

POCOTALICO, W. VA.  
NW 4 CHARLESTON 15' QUADRANGLE  
N3822.5-W8137.5/7.5  
1958  
PHOTOREVISED 1971 AND 1976  
AMS 4660 1 NW-SERIES Y854

MAP AND AIR PHOTO  
LIBRARY  
AUG 10 1978  
University of Wisconsin  
Madison