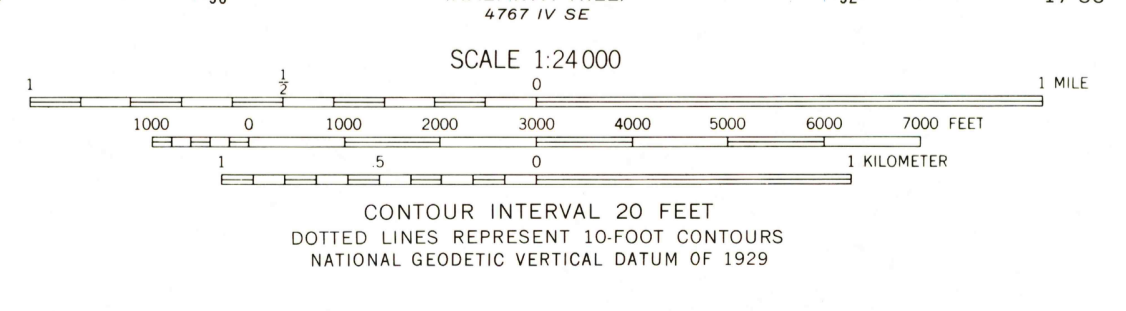
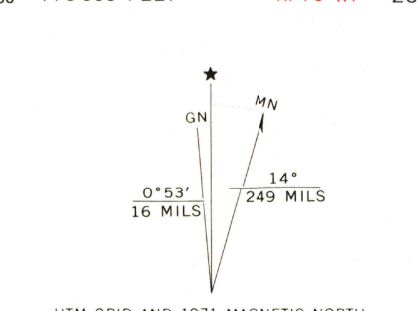


Mapped, edited, and published by the Geological Survey
Control by USGS and USC&GS
Topography by photogrammetric methods from aerial
photographs taken 1970. Field checked 1971
Projection and 10,000-foot grid ticks: Wyoming
coordinate system, east central zone (transverse Mercator)
1000-meter Universal Transverse Mercator grid ticks,
zone 13, shown in blue. 1927 North American datum
Fine red dashed lines indicate selected fence lines



ROAD CLASSIFICATION

Primary highway, hard surface	Light duty road, hard or improved surface
Secondary highway, hard surface	Unimproved road
Interstate Route	U. S. Route
	State Route

WYOMING
QUADRANGLE LOCATION