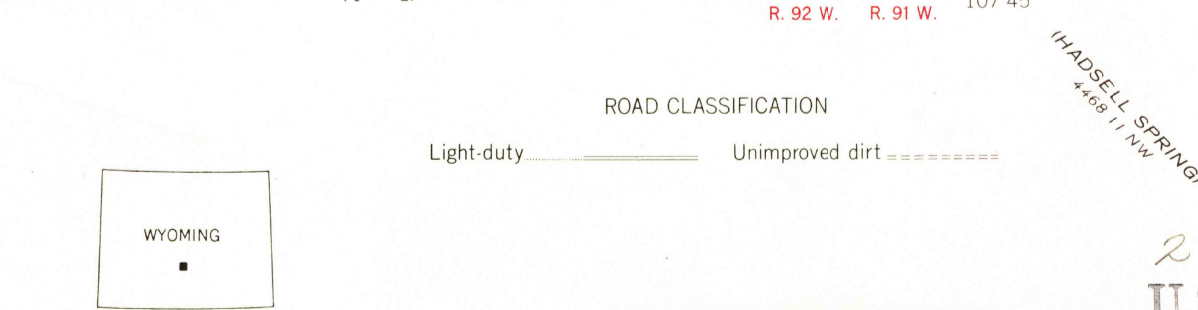
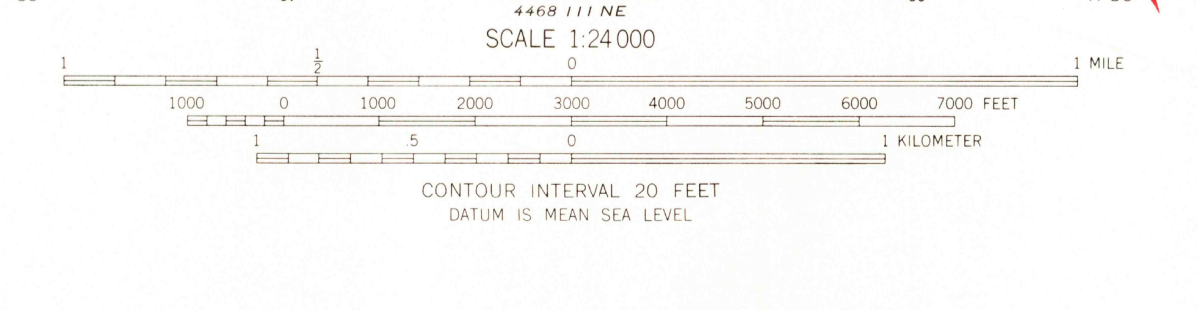
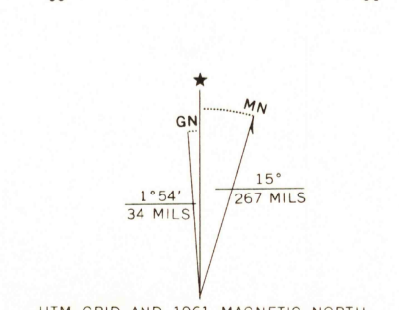


Mapped, edited, and published by the Geological Survey
Control by USGS and USC&GS
Topography by photogrammetric methods from aerial
photographs taken 1960. Field checked 1961
Polyconic projection. 1927 North American datum
10,000-foot grid based on Wyoming coordinate system, west central zone
1000-meter Universal Transverse Mercator grid ticks,
zone 13, shown in blue
Fine red dashed lines indicate selected fence lines



THIS MAP COMPLIES WITH NATIONAL MAP ACCURACY STANDARDS
FOR SALE BY U.S. GEOLOGICAL SURVEY, DENVER, COLORADO 80225, OR WASHINGTON, D.C. 20242
A FOLDER DESCRIBING TOPOGRAPHIC MAPS AND SYMBOLS IS AVAILABLE ON REQUEST

RETURN TO:
USGS AND HISTORICAL MAP ARCHIVES