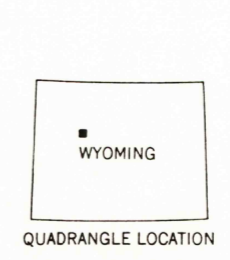
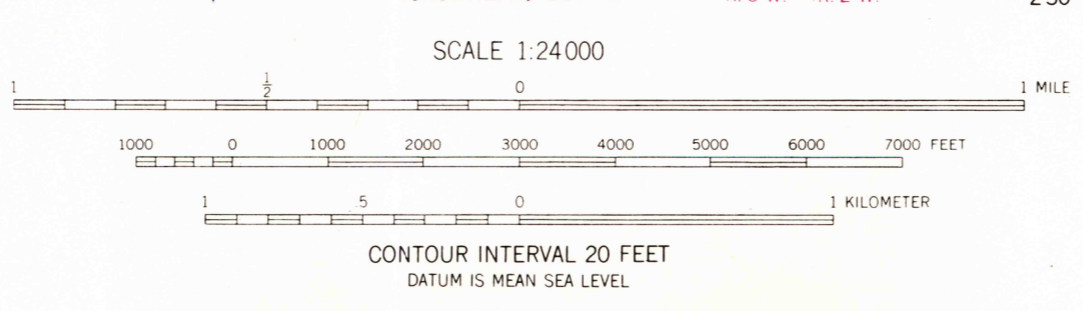
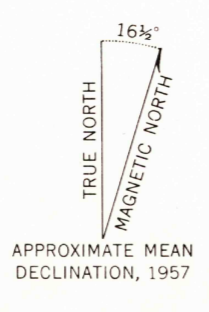




Mapped, edited, and published by the Geological Survey as part of the Department of the Interior program for the development of the Missouri River Basin. Control by USGS and USC&GS. Topography from aerial photographs by multiplex methods. Aerial photographs taken 1948. Field check 1952. Revised 1957. Polyconic projection. 1927 North American datum. 10,000-foot grid based on Wyoming coordinate system, west central zone. 1000-meter Universal Transverse Mercator grid ticks, zone 12, shown in blue. Dashed land lines indicate approximate locations.



ROAD CLASSIFICATION
Light duty ———— Unimproved dirt - - - - -
USCS Historical File Topographic Division
CROWHEART NE, WYO.
N4322.5-W10900/7.5
1957

FOR SALE BY U. S. GEOLOGICAL SURVEY, FEDERAL CENTER, DENVER, COLORADO OR WASHINGTON 25, D. C.
A FOLDER DESCRIBING TOPOGRAPHIC MAPS AND SYMBOLS IS AVAILABLE ON REQUEST

This map was reproduced by electronic color scanning of an earlier printing (1958).

RETURN TO:
USGS AND HISTORICAL MAP ARCHIVES

JUN 19 1980

960