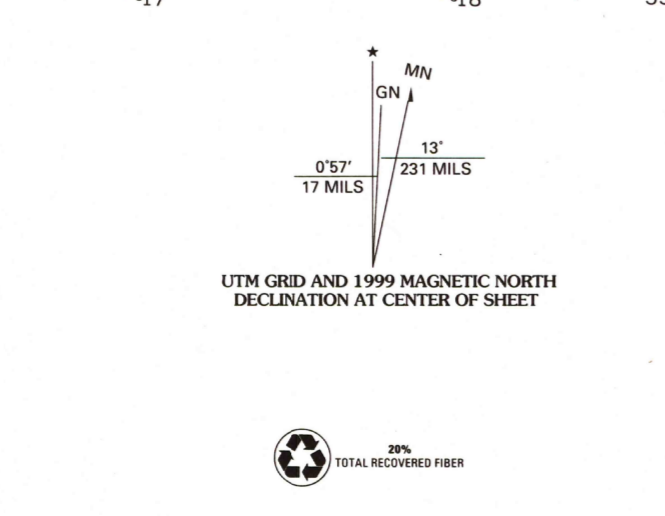
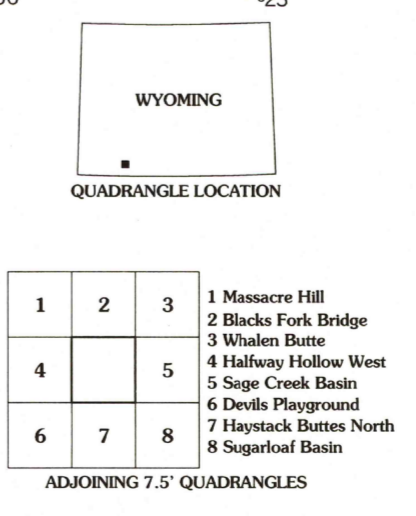


Produced by the United States Geological Survey 1987
Revision within and adjacent to National Forest System
lands by USDA Forest Service 1996
Topography compiled 1981. Planimetry derived from imagery taken 1993
and other sources. Public Land Survey System and survey control current
as of 1996
North American Datum of 1927 (NAD 27). Projection and 10 000-foot ticks:
Wyoming coordinate system, west central zone (transverse Mercator)
Blue 1000-meter Universal Transverse Mercator ticks, zone 12
North American Datum of 1983 (NAD 83) is shown by dashed corner ticks
The values of the shift between NAD 27 and NAD 83 for 7.5-minute
intersections are obtainable from National Geodetic Survey NADCON software
Non-National Forest System lands within the National Forest
Inholdings may exist in other National or State reservations
This map is not a legal land line or ownership document. Public lands are
subject to change and leasing, and may have access restrictions; check
with local offices. Obtain permission before entering private lands
Areas covered by dashed light-blue pattern are subject to controlled inundation
to 6045 feet



SCALE 1:24 000
CONTOUR INTERVAL 20 FEET
CONTOUR INTERVAL 40 FEET IN FLAMING GORGE RESERVOIR
NATIONAL GEODETIC VERTICAL DATUM OF 1929
TO CONVERT FROM FEET TO METERS, MULTIPLY BY 0.3048



HIGHWAYS AND ROADS

Interstate	Secondary highway	Primary highway
U. S.	Light-duty road	
State	Composition: Unspecified...	
County	Paved	
National Forest, suitable for passenger cars	Gravel	
National Forest, suitable for high clearance vehicles	Dirt	
National Forest Trail	Unimproved; 4 wheel drive	
	Trail	
	Gate; Barrier	

HALFWAY HOLLOW EAST, WY
1996
NIMA 4066 1 SE - SERIES V874

RECEIVED
APR 30 2000
USGS MJD
HISTORICAL MAP ARCHIVES
52525610908416
B-SERIES-409-0-NB51