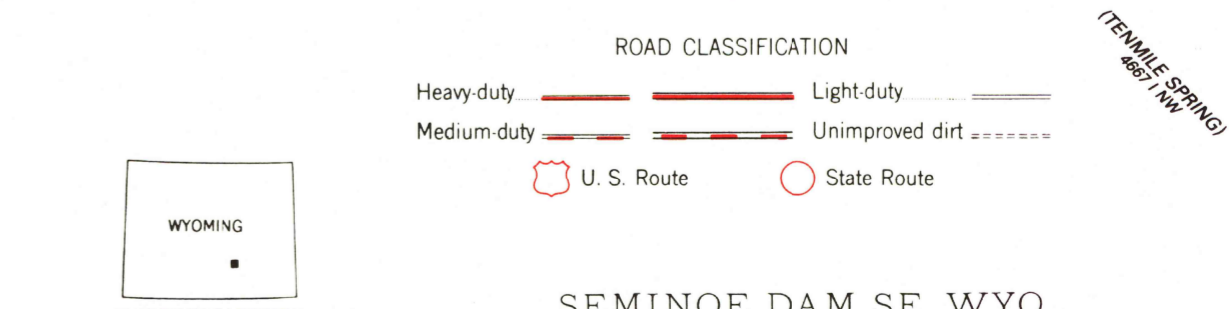
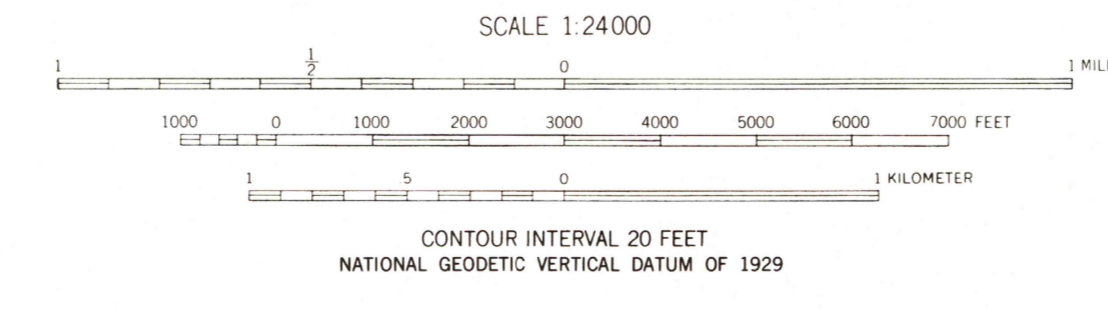
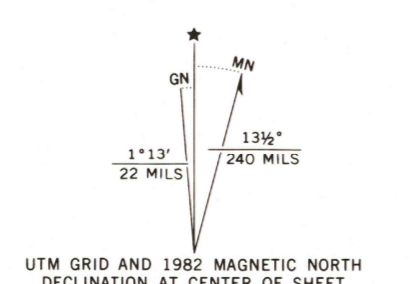




Maped, edited, and published by the Geological Survey as part of the Department of the Interior program for the development of the Missouri River Basin Control by USGS and NOS/NOAA
Topography from aerial photographs by multiplex methods Aerial photographs taken 1949. Field check 1953
Polyconic projection. 1927 North American datum 10,000-foot grid based on Wyoming coordinate system, east central zone
Dashed land lines indicate approximate locations 1000-meter Universal Transverse Mercator grid ticks, zone 13, shown in blue
To place on the predicted North American Datum 1983 move the projection lines 8 meters north and 51 meters east as shown by dashed corner ticks



THIS MAP COMPLIES WITH NATIONAL MAP ACCURACY STANDARDS FOR SALE BY U. S. GEOLOGICAL SURVEY, DENVER COLORADO 80225, OR RESTON, VIRGINIA 22092 A FOLDER DESCRIBING TOPOGRAPHIC MAPS AND SYMBOLS IS AVAILABLE ON REQUEST

Revisions shown in purple compiled from aerial photographs taken 1980 and other source data. This information not field checked. Map edited 1982
SEMINOE DAM SE, WYO.
N4200-W10645/7.5
1953
PHOTOREVISED 1982
DMA 4668 III SE-SERIES V874

DEC 16 1988

RETURN TO:
USGS AND HISTORICAL MAP ARCHIVES