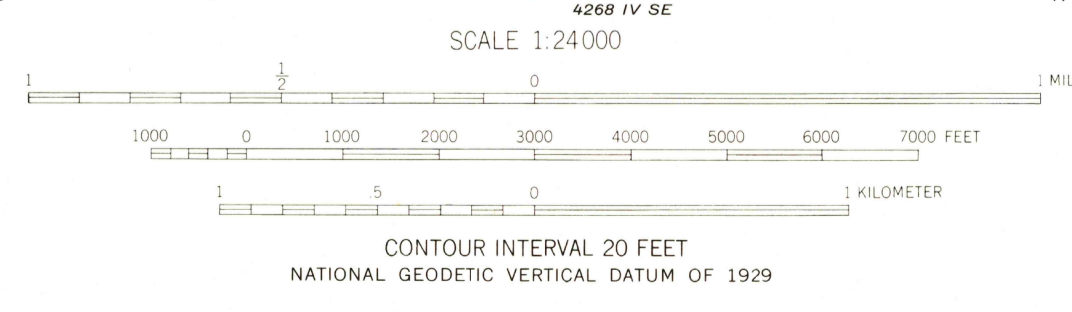


Mapped, edited, and published by the Geological Survey as part of the Department of the Interior program for the development of the Missouri River Basin Control by USGS and USC&GS
Topography from aerial photographs by multiplex methods Aerial photographs taken 1949. Field check 1953
Polyconic projection. 1927 North American datum 10,000-foot grid based on Wyoming coordinate system, west central zone
1000-meter Universal Transverse Mercator grid ticks, zone 12, shown in blue
Dashed land lines indicate approximate locations



ROAD CLASSIFICATION
1963
Medium-duty ——— Light-duty ———
Unimproved dirt - - - - -
State Route ○

THIS MAP COMPLIES WITH NATIONAL MAP ACCURACY STANDARDS
FOR SALE BY U. S. GEOLOGICAL SURVEY, DENVER, COLORADO 80225, OR RESTON, VIRGINIA 22092
A FOLDER DESCRIBING TOPOGRAPHIC MAPS AND SYMBOLS IS AVAILABLE ON REQUEST

USGS
Historical File
Topographic Division
SOUTH PASS CITY, WYO.
N4222.5-W10845.7.5
1953
AMS 4268 IV NE—SERIES V874

OCT 07 1974
3400

RETURN TO:
USGS AND HISTORICAL MAP ARCHIVES