



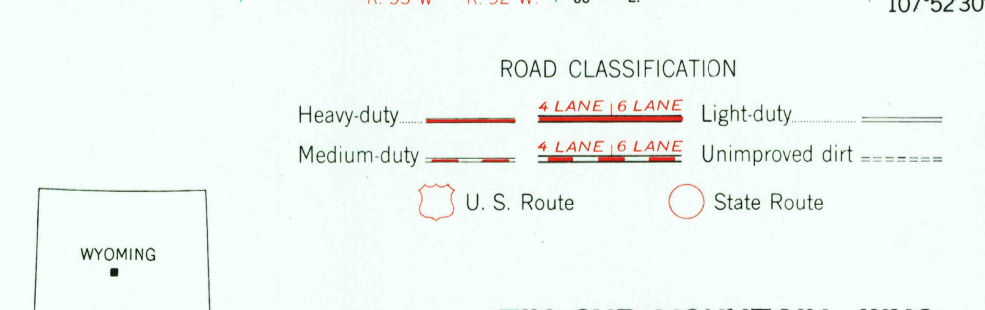
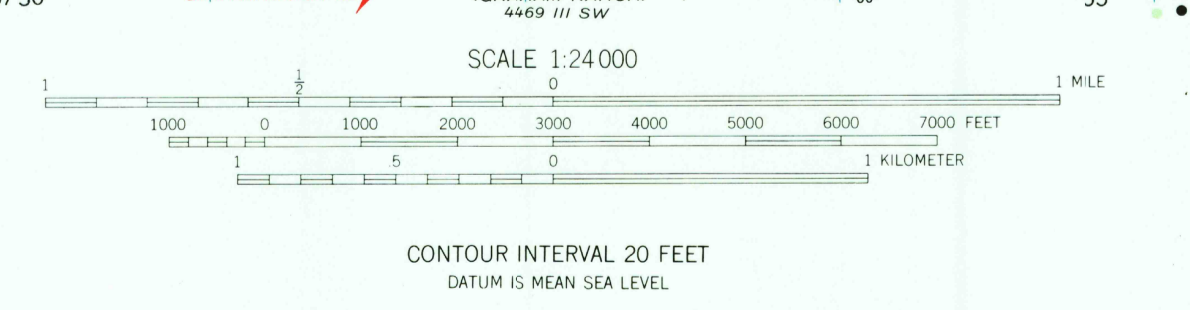
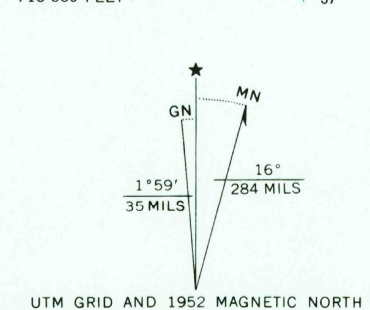
Mapped, edited, and published by the Geological Survey as part of the Department of the Interior program for the development of the Missouri River Basin Control by USGS and USC&GS

Topography from aerial photographs by multiplex methods
Aerial photographs taken 1949. Field check 1952

Polyconic projection. 1927 North American datum
10,000-foot grid based on Wyoming coordinate system, west central zone

Dashed land lines indicate approximate locations
Certain land lines are omitted in T. 32 N., R. 93 W. because of insufficient data

1000-meter Universal Transverse Mercator grid ticks, zone 13, shown in blue



THIS MAP COMPLIES WITH NATIONAL MAP ACCURACY STANDARDS
FOR SALE BY U. S. GEOLOGICAL SURVEY, DENVER, COLORADO 80225, OR WASHINGTON, D. C. 20242
A FOLDER DESCRIBING TOPOGRAPHIC MAPS AND SYMBOLS IS AVAILABLE ON REQUEST

TIN CUP MOUNTAIN, WYO.
N4237.5-W10752.5/7.5
1952
AMS 4469 III NW-SERIES V874

RETURN TO:
USGS NHD HISTORICAL MAP ARCHIVES