

U.S.G.S.
FILE COPY
TOPOGRAPHIC DIVISION



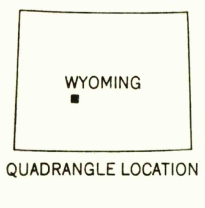
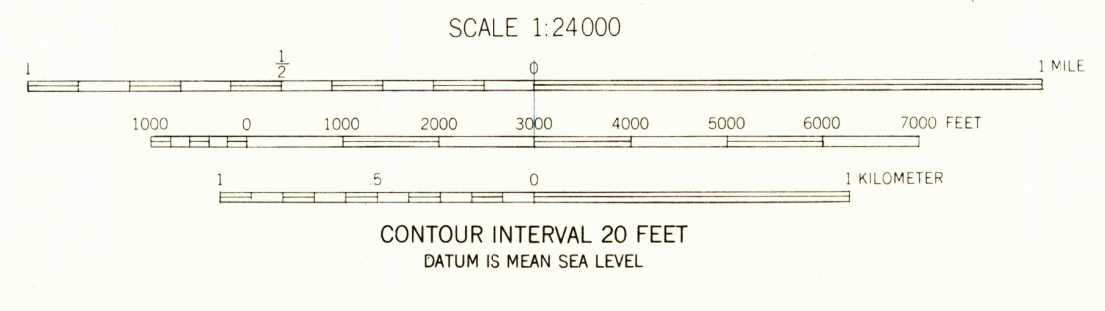
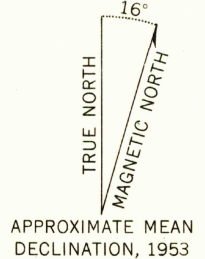
108°37'30"
42°45'
R. 99 W. R. 98 W.
35' 32'30" 32'30" 560 000 FEET 108°30' 42°45'

Mapped, edited, and published by the Geological Survey as part of the Department of Interior program for the development of the Missouri River Basin Control by USGS and USC&GS

Topography from aerial photographs by multiplex methods
Aerial photographs taken 1949, Field check 1953

Polyconic projection. 1927 North American datum
10,000-foot grid based on Wyoming coordinate system,
west central zone

Unchecked elevations are shown in brown



ROAD CLASSIFICATION

Heavy-duty	Light-duty
Medium-duty	Unimproved dirt
U. S. Route	State Route

WEISER PASS, WYO.
N4237.5—W10830.7/5
1953

RETURN TO:
USGS AND HISTORICAL MAP ARCHIVES

U.S.G.S.
FILE COPY
TOPOGRAPHIC DIVISION

DEC 27 1956
2140