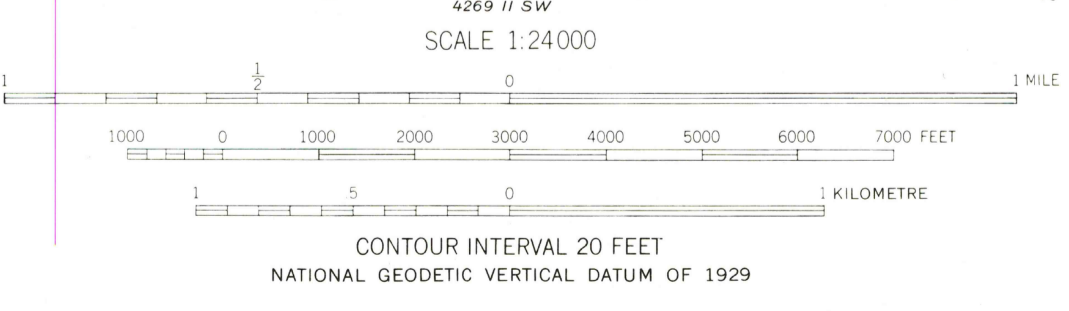
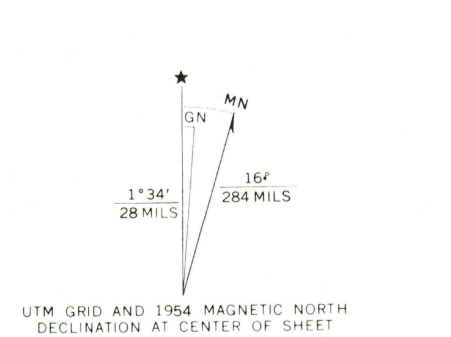


Maped, edited, and published by the Geological Survey as part of the Department of the Interior program for the development of the Missouri River Basin Control by USGS and USC&GS  
Topography from aerial photographs by multiplex methods Aerial photographs taken 1949. Field check 1954  
Polyconic projection, 1927 North American datum 10,000-foot grid based on Wyoming coordinate system, west central zone  
Dashed land lines indicate approximate locations. Certain land lines are omitted in T. 31 N.-R. 100 W. because of insufficient data.  
Unchecked elevations are shown in brown  
1000-metre Universal Transverse Mercator grid ticks, zone 12, shown in blue



ROAD CLASSIFICATION

Heavy-duty	Light-duty
Medium-duty	Unimproved dirt
U. S. Route	State Route

WYOMING  
QUADRANGLE LOCATION

THIS MAP COMPLIES WITH NATIONAL MAP ACCURACY STANDARDS  
FOR SALE BY U. S. GEOLOGICAL SURVEY, DENVER, COLORADO 80225, OR RESTON, VIRGINIA 22092  
A FOLDER DESCRIBING TOPOGRAPHIC MAPS AND SYMBOLS IS AVAILABLE ON REQUEST

WOLF POINT, WYO.  
N4237.5-W10837.5/7.5  
1954  
AMS 4269 II NW-SERIES V874

RETURN TO:  
USGS NHD HISTORICAL MAP ARCHIVES