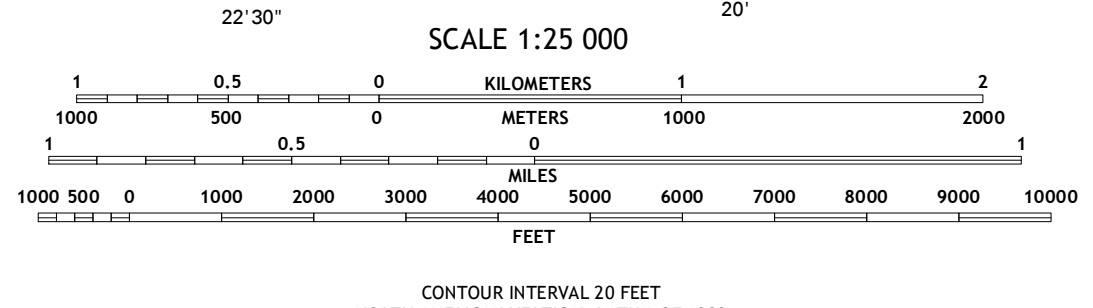
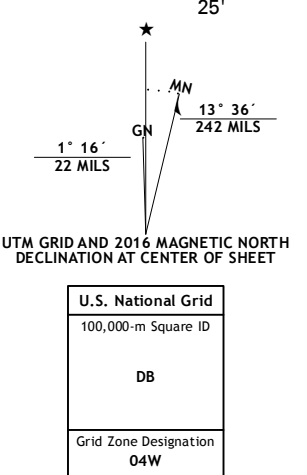


Produced by the United States Geological Survey
North American Datum of 1983 (NAD83)
World Geodetic System of 1984 (WGS84). Projection and
1000-meter grid: Universal Transverse Mercator, Zone 49W
10 000-foot ticks: Alaska Coordinate System of 1983 (zone 5)

This map is not a legal document. Boundaries may be
generalized for this map scale. Private lands within government
reservations may not be shown. Obtain permission before
entering private lands.

Imagery.....SPOT, 2009 - 2015
Roads.....Alaska Dept. of Transportation, 2014
Names.....GNIS, 2016
Hydrography.....National Hydrography Dataset, 2010
Contours.....National Elevation Dataset, 2013
Boundaries.....Multiple sources; see metadata file, 1950 - 2016
Public Land Survey System.....BLM, 2006 - 2008
Wetlands.....FWS National Wetlands Inventory 1977 - 2014



ROAD CLASSIFICATION

Expressway	Local Connector
Secondary Hwy	Local Road
Ramp	4WD
Interstate Route	US Route
	State Route

ADJOINING QUADRANGLES

1	2	3
4	5	6
7	8	

1 Utukok River (A-3) NW
2 Utukok River (A-3) NE
3 Utukok River (A-2) NW
4 Utukok River (A-3) SW
5 Utukok River (A-2) SW
6 Misheguk Mountain (D-3) NW
7 Misheguk Mountain (D-3) NE
8 Misheguk Mountain (D-2) NW

