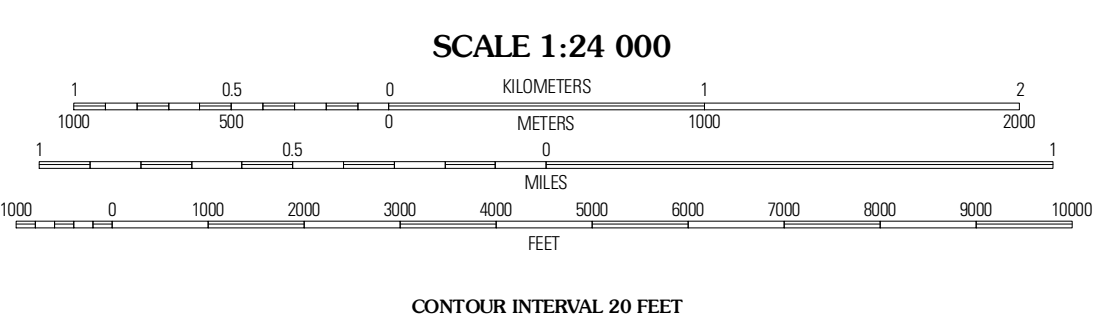
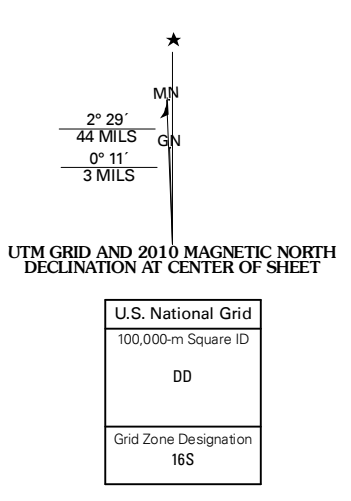


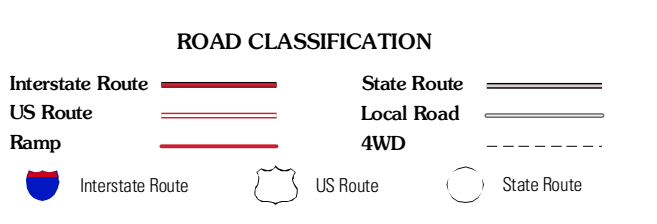
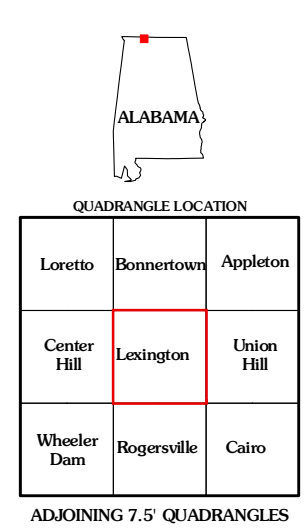


Produced by the United States Geological Survey
North American Datum of 1983 (NAD83)
World Geodetic System of 1984 (WGS84). Projection and
1000-meter grid: Universal Transverse Mercator, Zone 16S
10 000-foot ticks: Alabama Coordinate System of 1983
(west zone) and Tennessee Coordinate System of 1983

Imagery.....NAIP, June 2006 - June 2008
Roads.....US Census Bureau TIGER data
with limited USGS updates, 2006 - 2008
Names.....GNIS, 2008
Hydrography.....National Hydrography Dataset, 2006
Contours.....National Elevation Dataset, 2001



This map was produced to conform with version 0.5.10 of the
draft USGS Standards for 7.5-Minute Quadrangle Maps.
A metadata file associated with this product is also draft version 0.5.10



LEXINGTON, AL-TN
2010