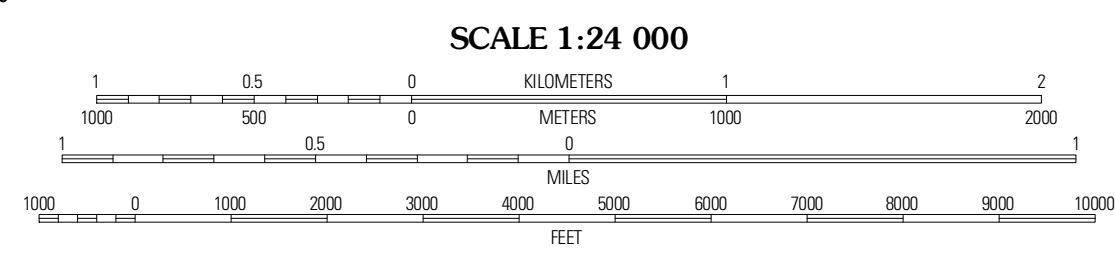
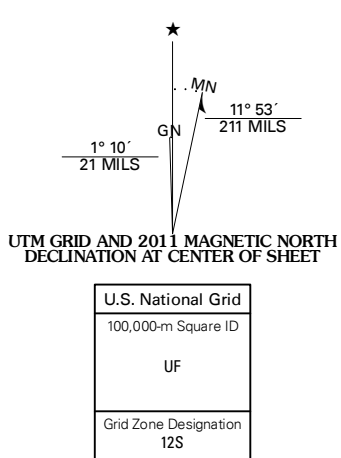
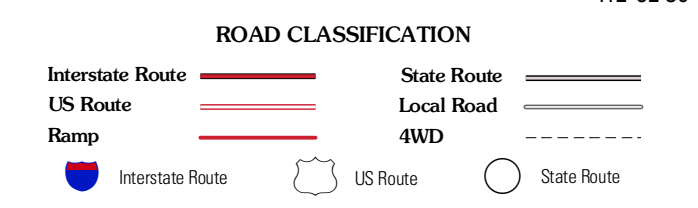
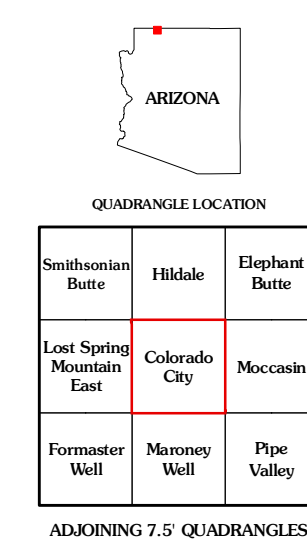


Produced by the United States Geological Survey  
North American Datum of 1983 (NAD83)  
World Geodetic System of 1984 (WGS84). Projection and  
1 000-foot ticks: Arizona Coordinate System of 1983 (west  
zone)

Imagery.....NIP, June 2010  
Roads.....©2006-2011 TomTom  
Names.....GNIS, 2011  
Hydrography.....National Hydrography Dataset, 2007  
Contours.....National Elevation Dataset, 2000  
Boundaries.....Census, IBWC, IBC, USGS, 1972 - 2010



CONTOUR INTERVAL 20 FEET  
NORTH AMERICAN VERTICAL DATUM OF 1988  
This map was produced to conform with the  
National Geospatial Program US Topo Product Standard, 2011.  
A metadata file associated with this product is draft version 0.6.1



**COLORADO CITY, AZ**  
2011