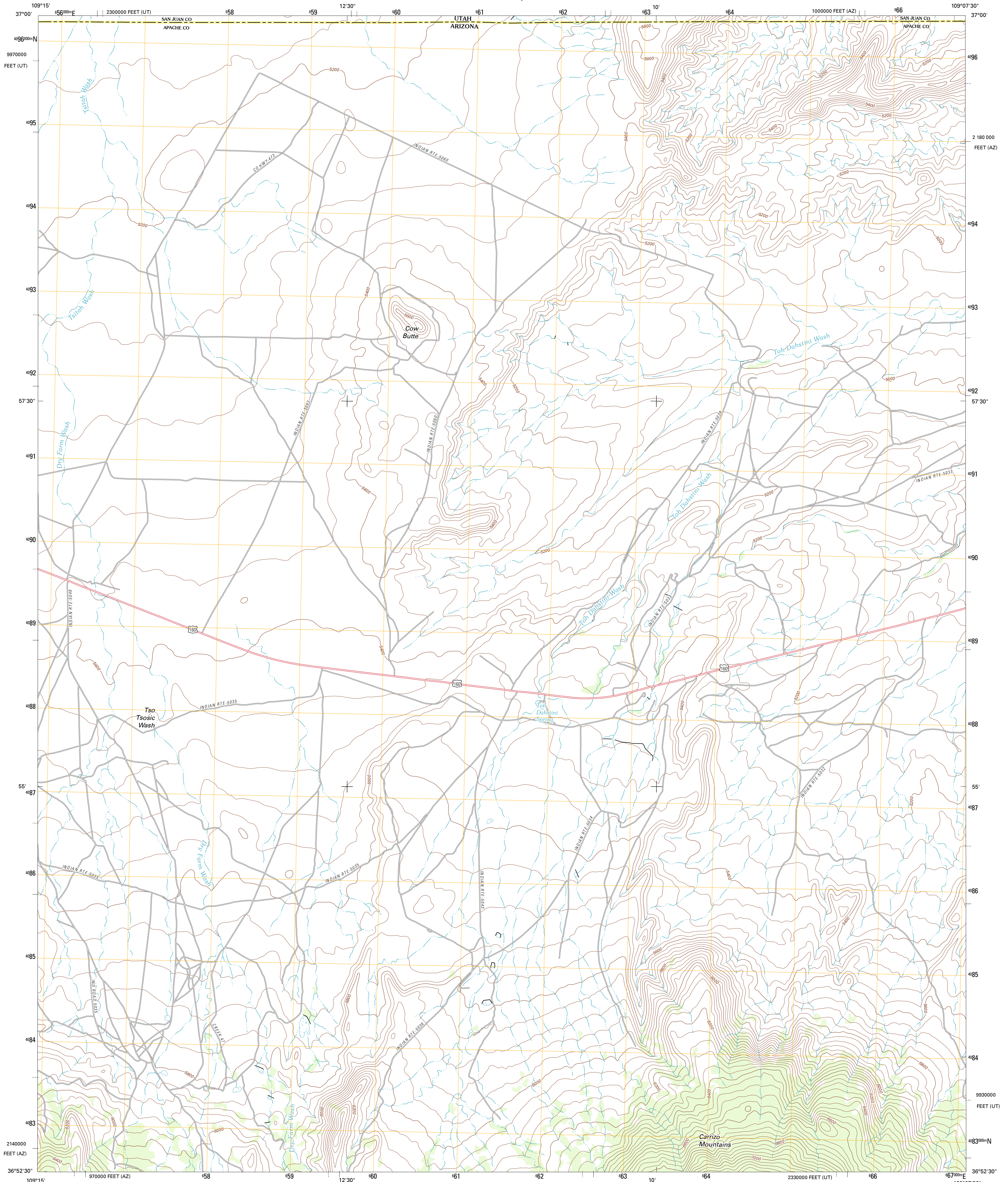




U.S. DEPARTMENT OF THE INTERIOR  
U. S. GEOLOGICAL SURVEY

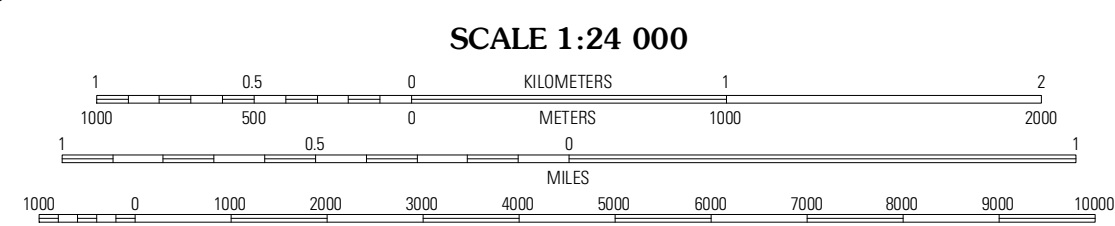
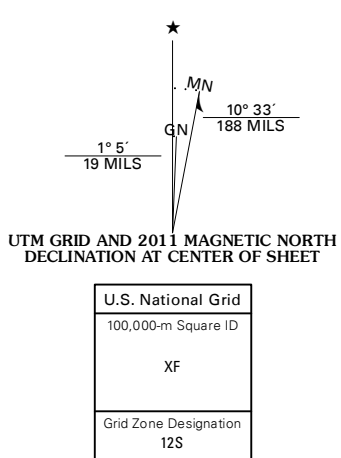


COW BUTTE QUADRANGLE  
ARIZONA-UTAH  
7.5-MINUTE SERIES

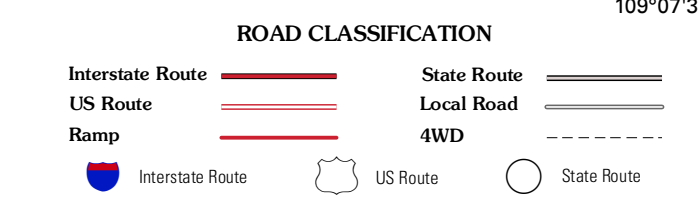


Produced by the United States Geological Survey  
North American Datum of 1983 (NAD83)  
World Geodetic System of 1984 (WGS84). Projection and  
1 000-meter grid: Universal Transverse Mercator, Zone 12S  
10 000-foot ticks: Arizona Coordinate System of 1983 (east  
zone), Utah Coordinate System of 1983 (south zone)

Imagery.....NAP, June 2010  
Roads.....©2006-2011 TomTom  
Names.....GNIS, 2011  
Hydrography.....National Hydrography Dataset, 2010  
Contours.....National Elevation Dataset, 1999  
Boundaries.....Census, IBWC, IBC, USGS, 1972 - 2010



CONTOUR INTERVAL 40 FEET  
NORTH AMERICAN VERTICAL DATUM OF 1988  
This map was produced to conform with the  
National Geospatial Program US Topo Product Standard, 2011.  
A metadata file associated with this product is draft version 0.6.1



QUADRANGLE LOCATION

White Mesa	Yellow Rock	Yellow Rock
Village SE	Point West	Point East
Toh Aini	Cow Butte	Teec Nos Pos
Toh Chin	Pastora Peak	Declabito
Lani Mesa		

COW BUTTE, AZ-UT  
2011

ADJOINING 7.5' QUADRANGLES