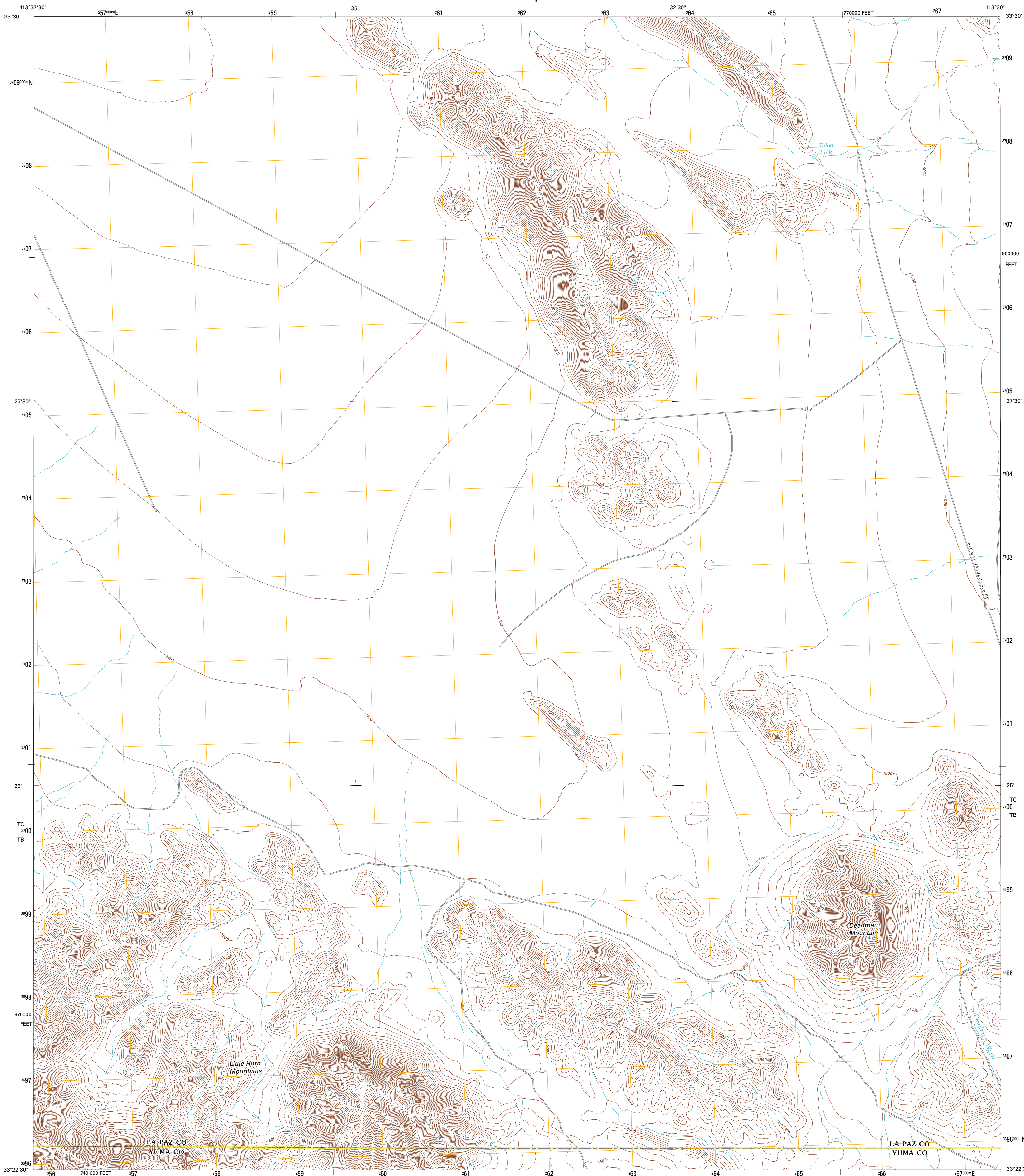




U.S. DEPARTMENT OF THE INTERIOR
U. S. GEOLOGICAL SURVEY

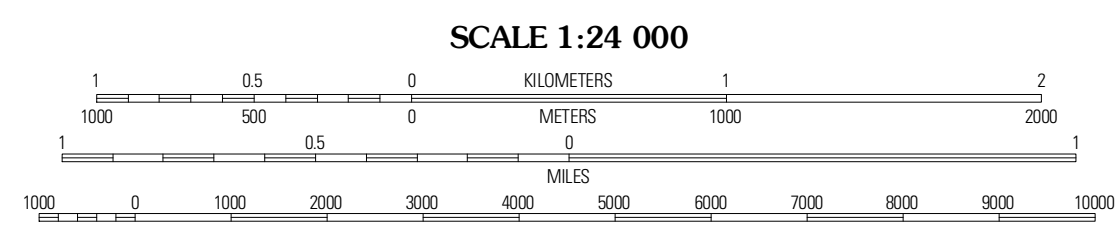
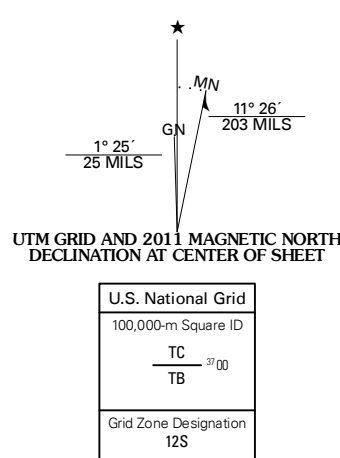


LITTLE HORN MOUNTAINS NE QUADRANGLE
ARIZONA
7.5-MINUTE SERIES



Produced by the United States Geological Survey
North American Datum of 1983 (NAD83)
Roads..... ©2006-2011 TomTom
World Geodetic System of 1984 (WGS84). Projection and
Hydrography..... National Hydrography Dataset, 2007
Contours..... National Elevation Dataset, 2003
Boundaries..... Census, IBVC, IBC, USGS, 1972 - 2010
10 000-foot ticks: Arizona Coordinate System of 1983 (west zone)

Imagery.....NAIP, June 2010 - July 2010
Roads..... ©2006-2011 TomTom
World Geodetic System of 1984 (WGS84). Projection and
Hydrography..... National Hydrography Dataset, 2007
Contours..... National Elevation Dataset, 2003
Boundaries..... Census, IBVC, IBC, USGS, 1972 - 2010



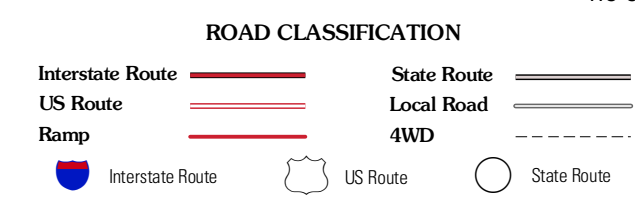
CONTOUR INTERVAL 20 FEET
NORTH AMERICAN VERTICAL DATUM OF 1988

This map was produced to conform with the National Geospatial Program US Topo Product Standard, 2011. A metadata file associated with this product is draft version 0.6.1



QUADRANGLE LOCATION

Hope SW	Hope SE	Lane Mountain
Coyote Peak	Little Horn Mountains NE	Englefall Mountains West
Cementosa Wash	Little Horn Mountains SE	Northbusch Butte



LITTLE HORN MOUNTAINS NE, AZ
2011