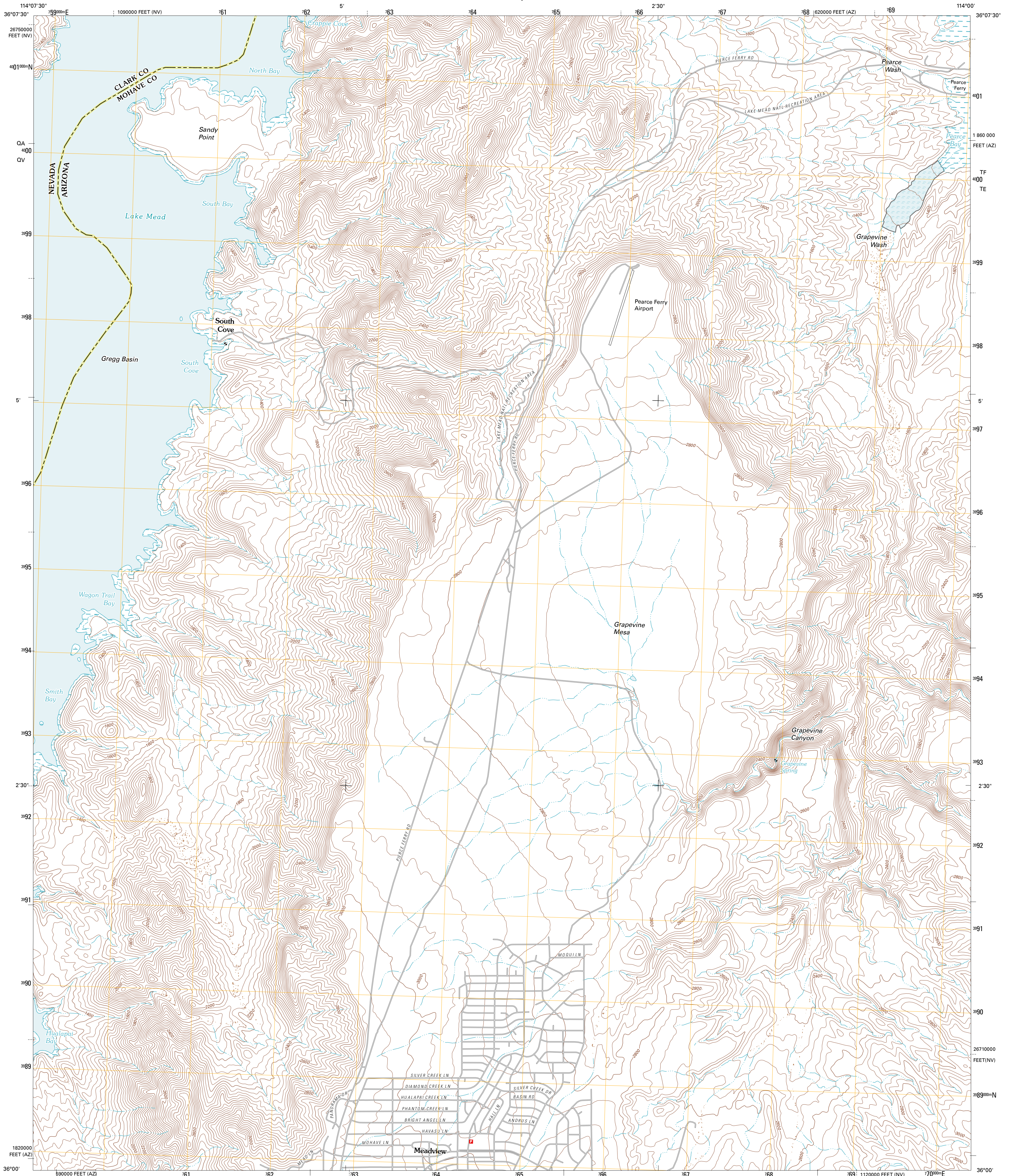




U.S. DEPARTMENT OF THE INTERIOR
U. S. GEOLOGICAL SURVEY

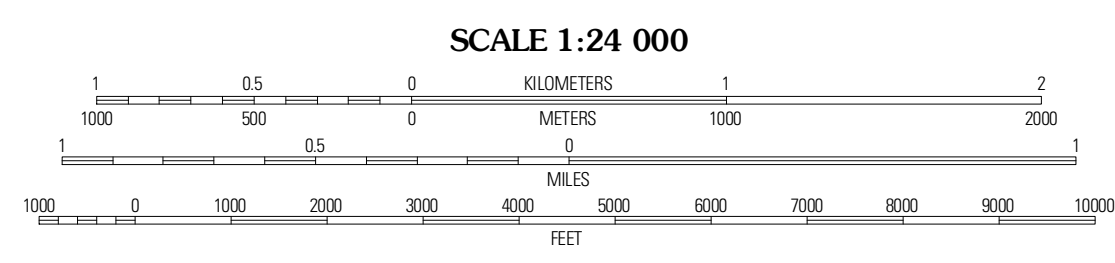
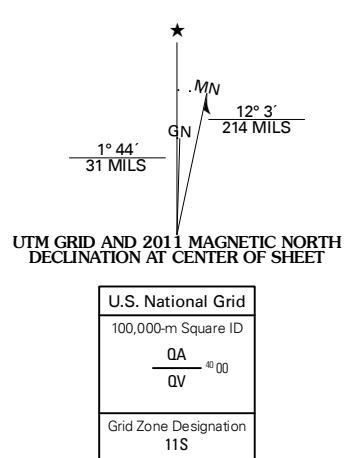


MEADVIEW NORTH QUADRANGLE
ARIZONA-NEVADA
7.5-MINUTE SERIES



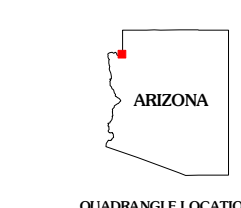
Produced by the United States Geological Survey
North American Datum of 1983 (NAD83)
World Geodetic System of 1984 (WGS84). Projection and
1 000-meter grid: Universal Transverse Mercator, Zone 11S
10 000-foot ticks: Arizona Coordinate System of 1983 (west
zone), Nevada Coordinate System of 1983 (east zone)

Imagery.....NAIP, June 2010
Roads.....©2006-2011 TomTom
Names.....GNIS, 2011
Hydrography.....National Hydrography Dataset, 2007
Contours.....National Elevation Dataset, 2001
Boundaries.....Census, IBWC, IBC, USGS, 1972 - 2010



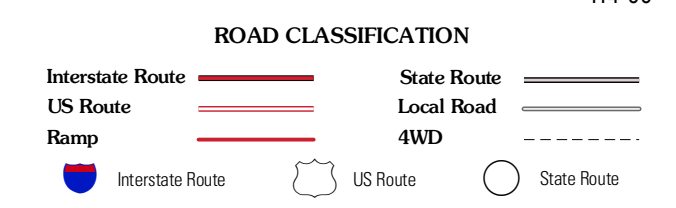
CONTOUR INTERVAL 40 FEET
NORTH AMERICAN VERTICAL DATUM OF 1988

This map was produced to conform with the National Geospatial Program US Topo Product Standard, 2011. A metadata file associated with this product is draft version 0.6.1



Jumbo Peak	Iceberg Canyon	Snap Canyon West
Hiller Mountains	Meadview North	Columbine Falls
Garnet Mountain NW	Meadview South	Grapevine Canyon

ADJOINING 7.5 QUADRANGLES



MEADVIEW NORTH, AZ-NV
2011