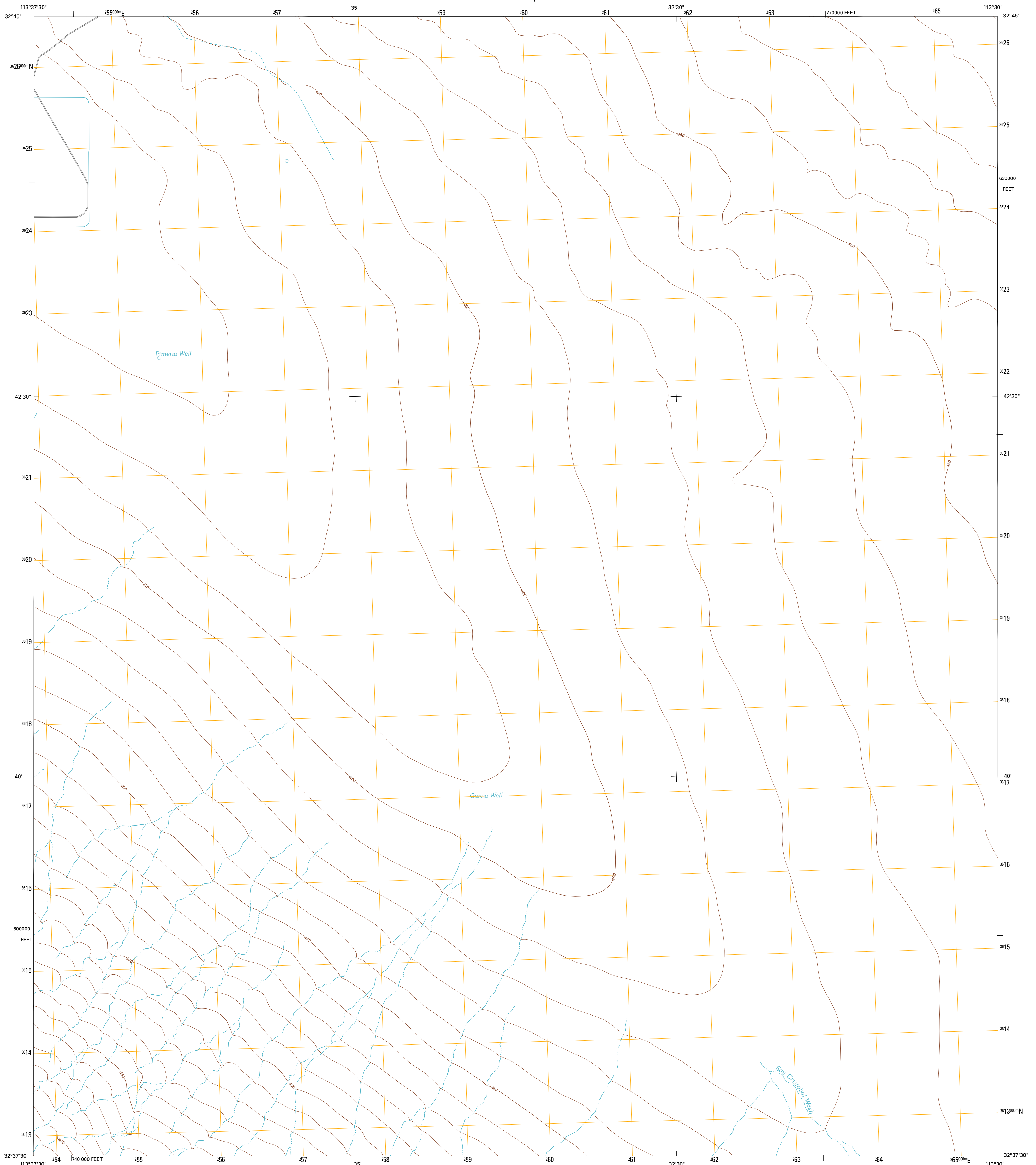




U.S. DEPARTMENT OF THE INTERIOR  
U. S. GEOLOGICAL SURVEY

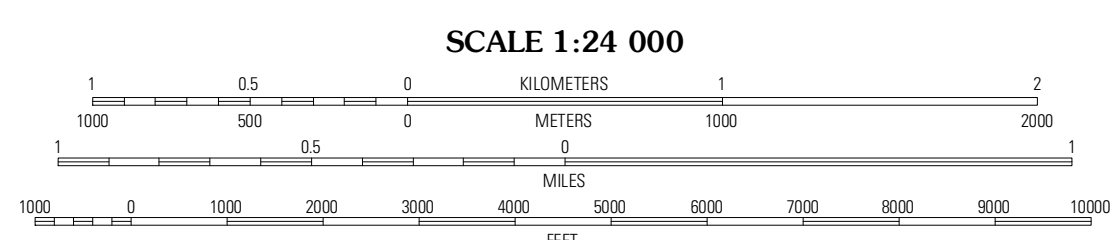
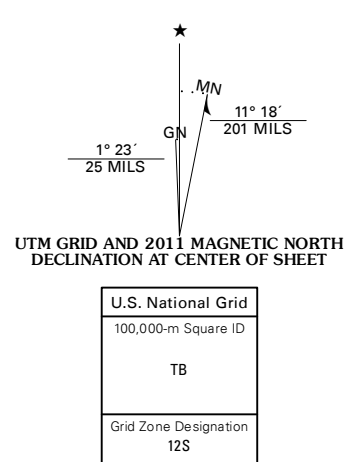


MOHAWK MOUNTAINS NE QUADRANGLE  
ARIZONA-YUMA CO.  
7.5-MINUTE SERIES

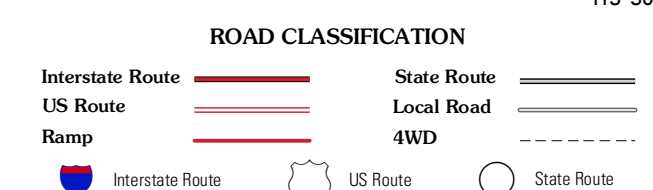
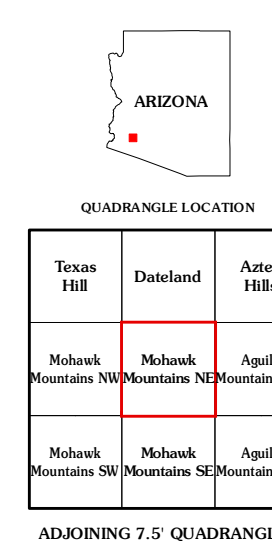


Produced by the United States Geological Survey  
North American Datum of 1983 (NAD83)  
World Geodetic System of 1984 (WGS84). Projection and  
1 000-meter grid: Universal Transverse Mercator, Zone 12S  
10 000-foot ticks: Arizona Coordinate System of 1983 (west  
zone)

Imagery.....NAIP, July 2010  
Roads.....©2006-2011 TomTom  
Names.....GNIS, 2011  
Hydrography.....National Hydrography Dataset, 2010  
Contours.....National Elevation Dataset, 2003  
Boundaries.....Census, BWC, IBC, USGS, 1972 - 2010



CONTOUR INTERVAL 10 FEET  
NORTH AMERICAN VERTICAL DATUM OF 1988  
This map was produced to conform with the  
National Geospatial Program US Topo Product Standard, 2011.  
A metadata file associated with this product is draft version 0.6.1



MOHAWK MOUNTAINS NE, AZ  
2011