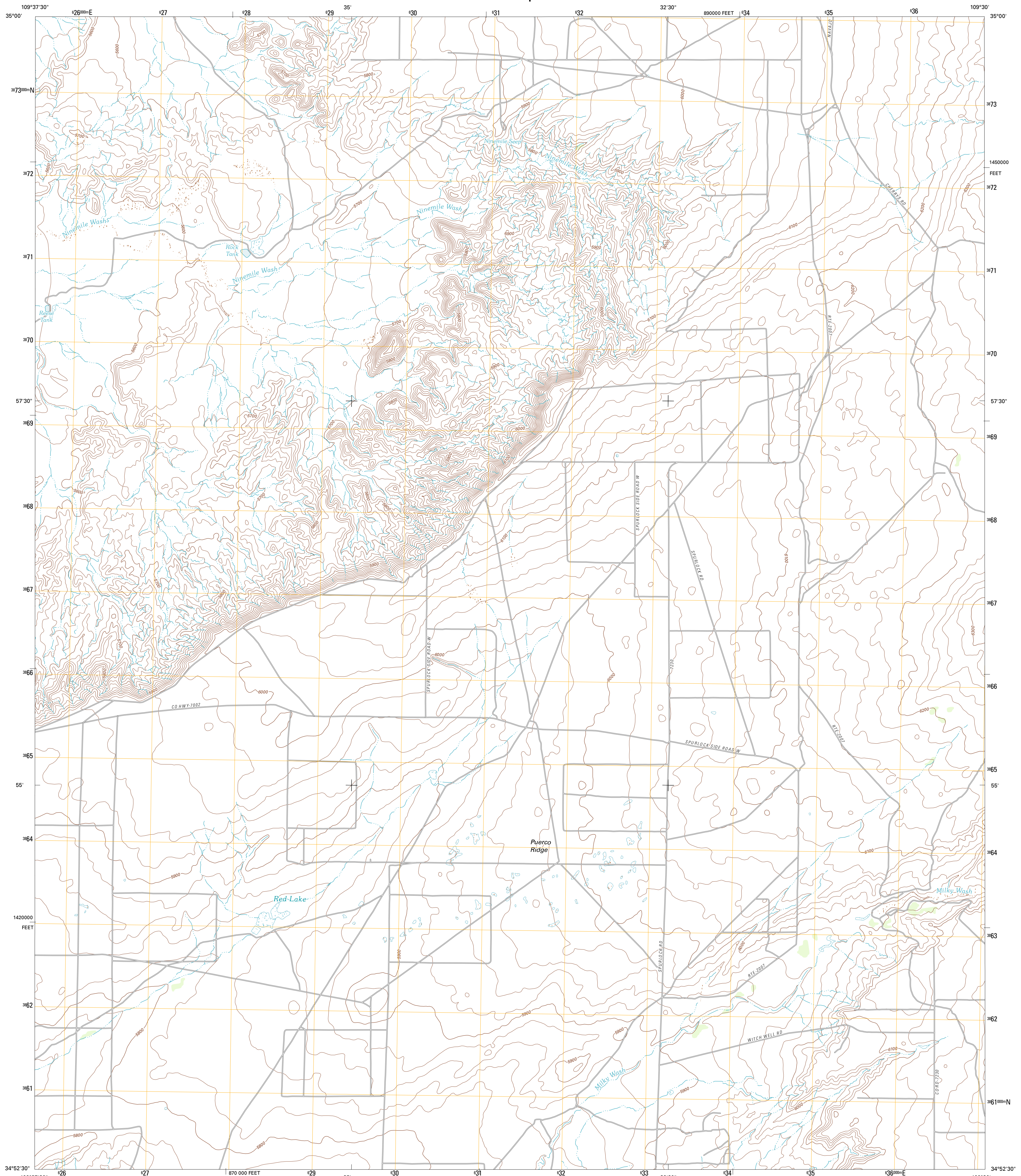




U.S. DEPARTMENT OF THE INTERIOR
U. S. GEOLOGICAL SURVEY

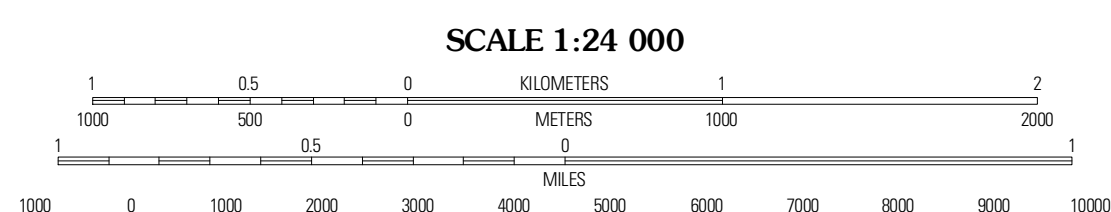
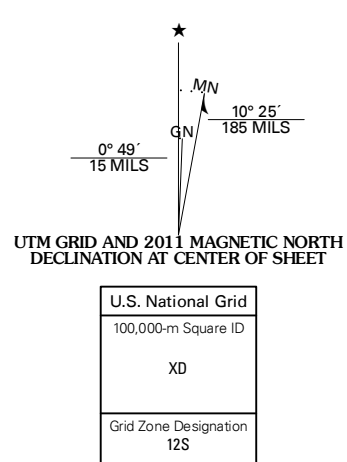


NINEMILE SEEP QUADRANGLE
ARIZONA-APACHE CO.
7.5-MINUTE SERIES



Produced by the United States Geological Survey
North American Datum of 1983 (NAD83)
World Geodetic System of 1984 (WGS84). Projection and
1 000-meter grid: Universal Transverse Mercator, Zone 12S
10 000-foot ticks: Arizona Coordinate System of 1983 (east
zone)

Imagery: N/AIP, June 2010
Roads: ©2006-2011 TomTom
Names: GNIS, 2011
Hydrography: National Hydrography Dataset, 2007
Contours: National Elevation Dataset, 2000
Boundaries: Census, IBWC, IBC, USGS, 1972 - 2010



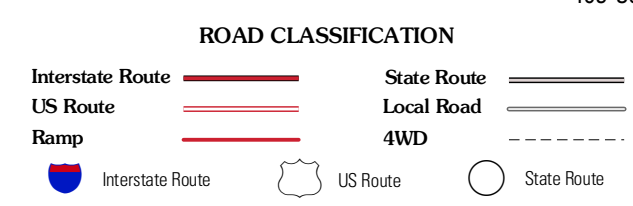
CONTOUR INTERVAL 20 FEET
NORTH AMERICAN VERTICAL DATUM OF 1988
This map was produced to conform with the
National Geospatial Program US Topo Product Standard, 2011.
A metadata file associated with this product is draft version 0.6.1



QUADRANGLE LOCATION

Pinta	Navajo South	Navajo Springs
Serrol Horse Mesa	Ninemile Seep	Hogan Well
Milky Ranch	Seven Springs	Long H Ranch

ADJOINING 7.5 QUADRANGLES



NINEMILE SEEP, AZ
2011