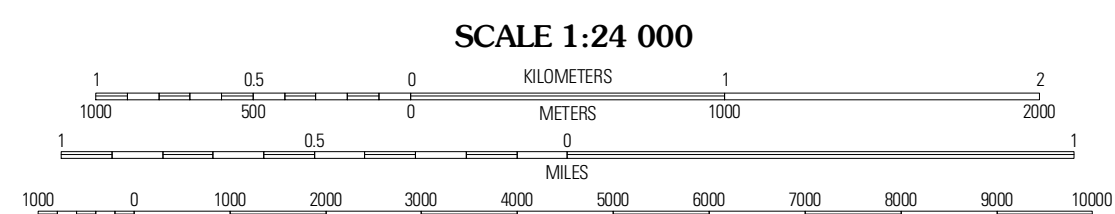
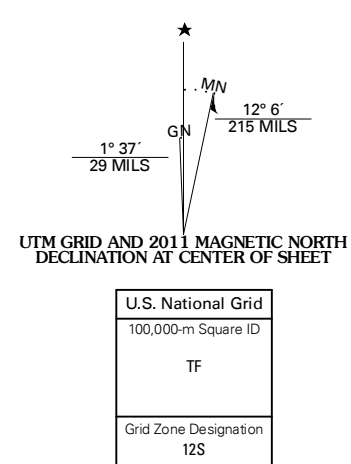


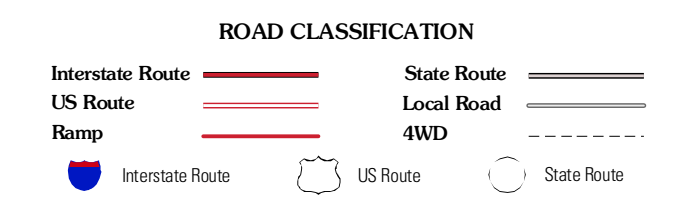


Produced by the United States Geological Survey
North American Datum of 1983 (NAD83)
World Geodetic System of 1984 (WGS84) Projection and
1 000-meter grid; Universal Transverse Mercator, Zone 12S
10 000-foot ticks; Arizona Coordinate System of 1983
(west zone) and Utah Coordinate System of 1983
(south zone)

Imagery.....NAIP, June 2007
Roads.....62006-2010 Tele Atlas
Names.....GNIS, 2009
Hydrography.....National Hydrography Dataset, 2007
Contours.....National Elevation Dataset, 2000



CONTOUR INTERVAL 40 FEET
NORTH AMERICAN VERTICAL DATUM OF 1988
This map was produced to conform with version 0.5.10 of the
draft USGS Standards for 7.5-Minute Quadrangle Maps.
A metadata file associated with this product is draft version 0.5.11



QUADRANGLE LOCATION		
Jacks Peak	White Hills	Saint George
Mountain Sheep Spring	Purgatory Canyon	Lizard Point
Mount Berens	Wolf Hole Mountain West	Wolf Hole Mountain East

PURGATORY CANYON, AZ-UT
2011

ADJOINING 7.5' QUADRANGLES