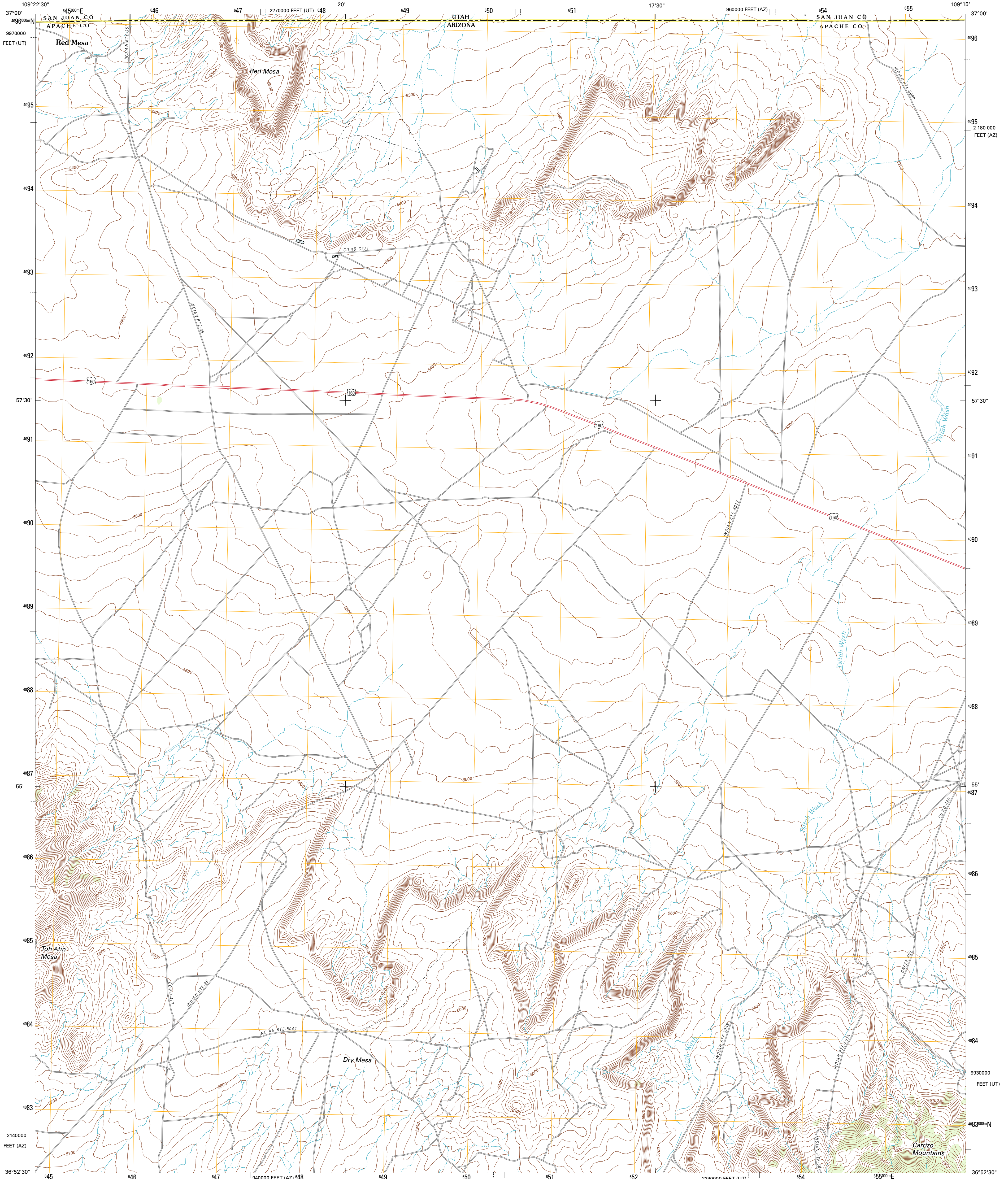




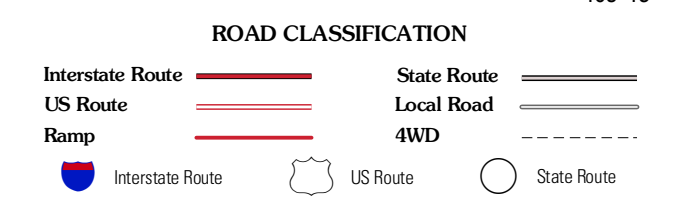
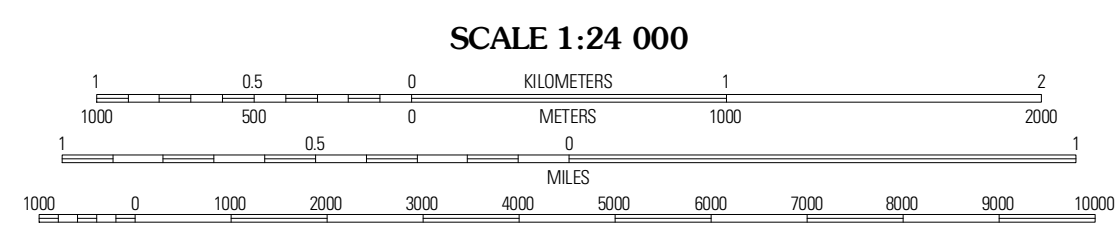
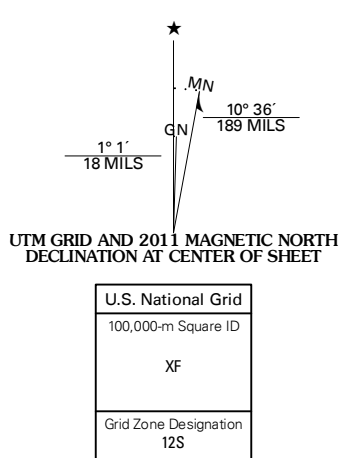
U.S. DEPARTMENT OF THE INTERIOR  
U. S. GEOLOGICAL SURVEY



TOH ATIN MESA EAST QUADRANGLE  
ARIZONA-UTAH  
7.5-MINUTE SERIES



Produced by the United States Geological Survey  
North American Datum of 1983 (NAD83)  
World Geodetic System of 1984 (WGS84). Projection and  
1 000-meter grid: Universal Transverse Mercator, Zone 12S  
10 000-foot ticks: Arizona Coordinate System of 1983 (east  
zone), Utah Coordinate System of 1983 (south zone)



QUADRANGLE LOCATION

|                    |                       |                        |
|--------------------|-----------------------|------------------------|
| Gray Spot Rock     | White Mesa Village SE | Yellow Rock Point West |
| Toh Atin Mesa West | Toh Atin Mesa East    | Cow Butte              |
| Walker Butte       | Toh Chin Lini Mesa    | Pastor Peak            |

ADJOINING 7.5' QUADRANGLES

CONTOUR INTERVAL 20 FEET  
NORTH AMERICAN VERTICAL DATUM OF 1988

This map was produced to conform with the National Geospatial Program US Topo Product Standard, 2011. A metadata file associated with this product is draft version 0.6.1

TOH ATIN MESA EAST, AZ-UT  
2011