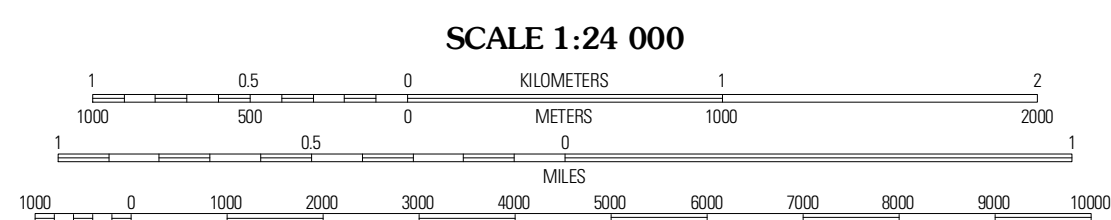
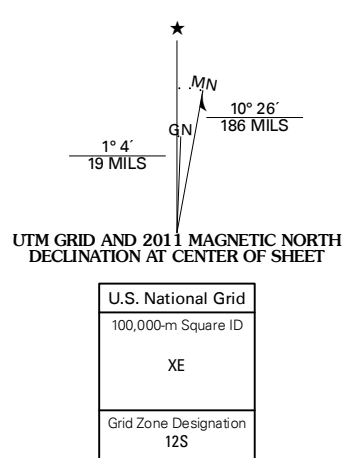
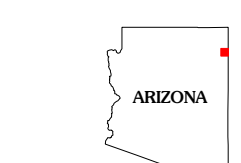


Produced by the United States Geological Survey
North American Datum of 1983 (NAD83)
World Geodetic System of 1984 (WGS84). Projection and
1 000-meter grid: Universal Transverse Mercator, Zone 12S
10 000-foot ticks: Arizona Coordinate System of 1983 (east
zone)

Imagery.....NAIP, June 2010
Roads.....©2006-2011 TomTom
Names.....GNIS, 2011
Hydrography.....National Hydrography Dataset, 2007
Contours.....National Elevation Dataset, 1999
Boundaries.....Census, IBWC, IBC, USCS, 1972 - 2010

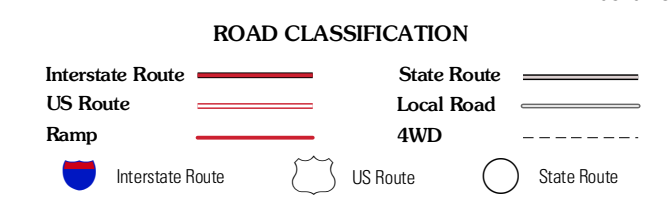


CONTOUR INTERVAL 20 FEET
NORTH AMERICAN VERTICAL DATUM OF 1988
This map was produced to conform with the
National Geospatial Program US Topo Product Standard, 2011.
A metadata file associated with this product is draft version 0.6.1



QUADRANGLE LOCATION

Mummy Cave Ruins	Lower Wheatfields	Upper Wheatfields
Spider Rock	White Clay	Sonora Buttes
White Rock Wash	Sawmill	Bull Park



WHITE CLAY, AZ
2011

ADJOINING 7.5' QUADRANGLES