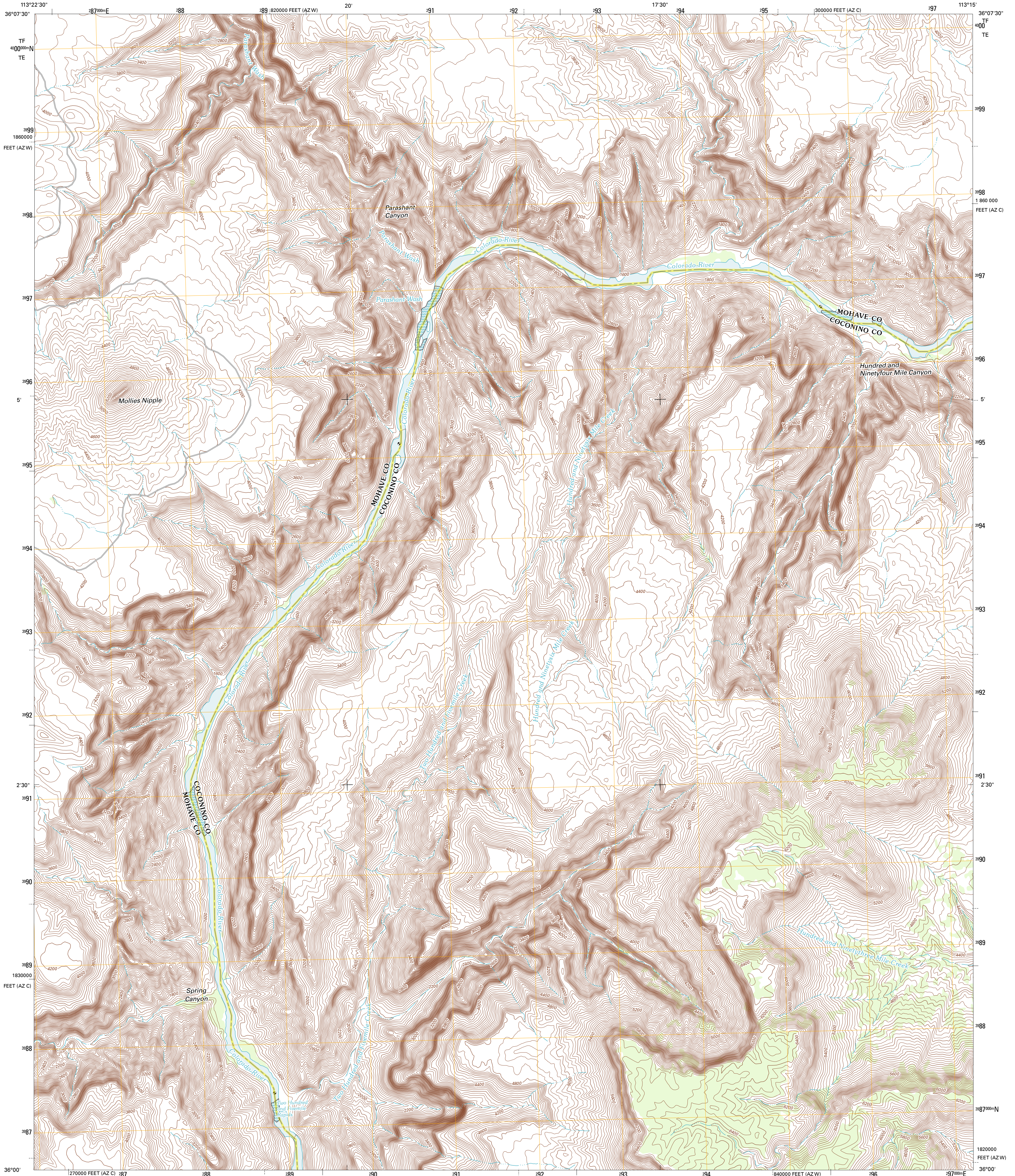




U.S. DEPARTMENT OF THE INTERIOR  
U. S. GEOLOGICAL SURVEY

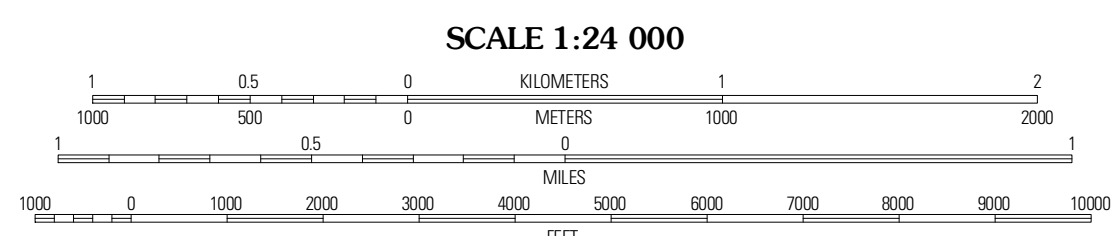
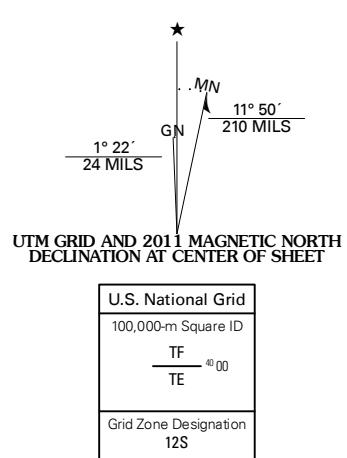


WHITMORE POINT SE QUADRANGLE  
ARIZONA  
7.5-MINUTE SERIES



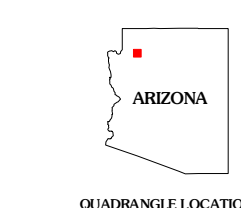
Produced by the United States Geological Survey  
North American Datum of 1983 (NAD83)  
World Geodetic System of 1984 (WGS84). Projection and  
1 000-meter grid: Universal Transverse Mercator, Zone 12S  
10 000-foot ticks: Arizona Coordinate System of 1983  
(central and west zones)

Imagery.....NAIP, June 2010  
Roads.....©2006-2011 TomTom  
Names.....GNIS, 2011  
Hydrography.....National Hydrography Dataset, 2007  
Contours.....National Elevation Dataset, 2000  
Boundaries.....Census, IBWC, USGS, 1972 - 2010



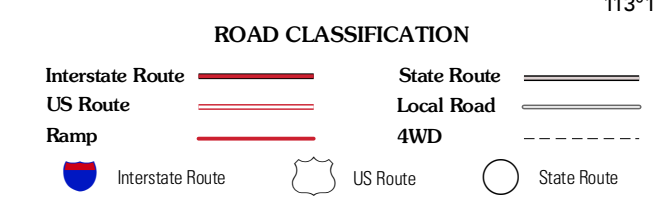
CONTOUR INTERVAL 40 FEET  
NORTH AMERICAN VERTICAL DATUM OF 1988

This map was produced to conform with the  
National Geospatial Program US Topo Product Standard, 2011.  
A metadata file associated with this product is draft version 0.6.1



QUADRANGLE LOCATION

Yellow John	Whitmore Point	Whitmore Rapids
Whitmore Point SW	Whitmore Point SE	Vulkana Throne SW
Price Point	Granite Park	Hockey Park Spring



WHITMORE POINT SE, AZ  
2011

ADJOINING 7.5' QUADRANGLES