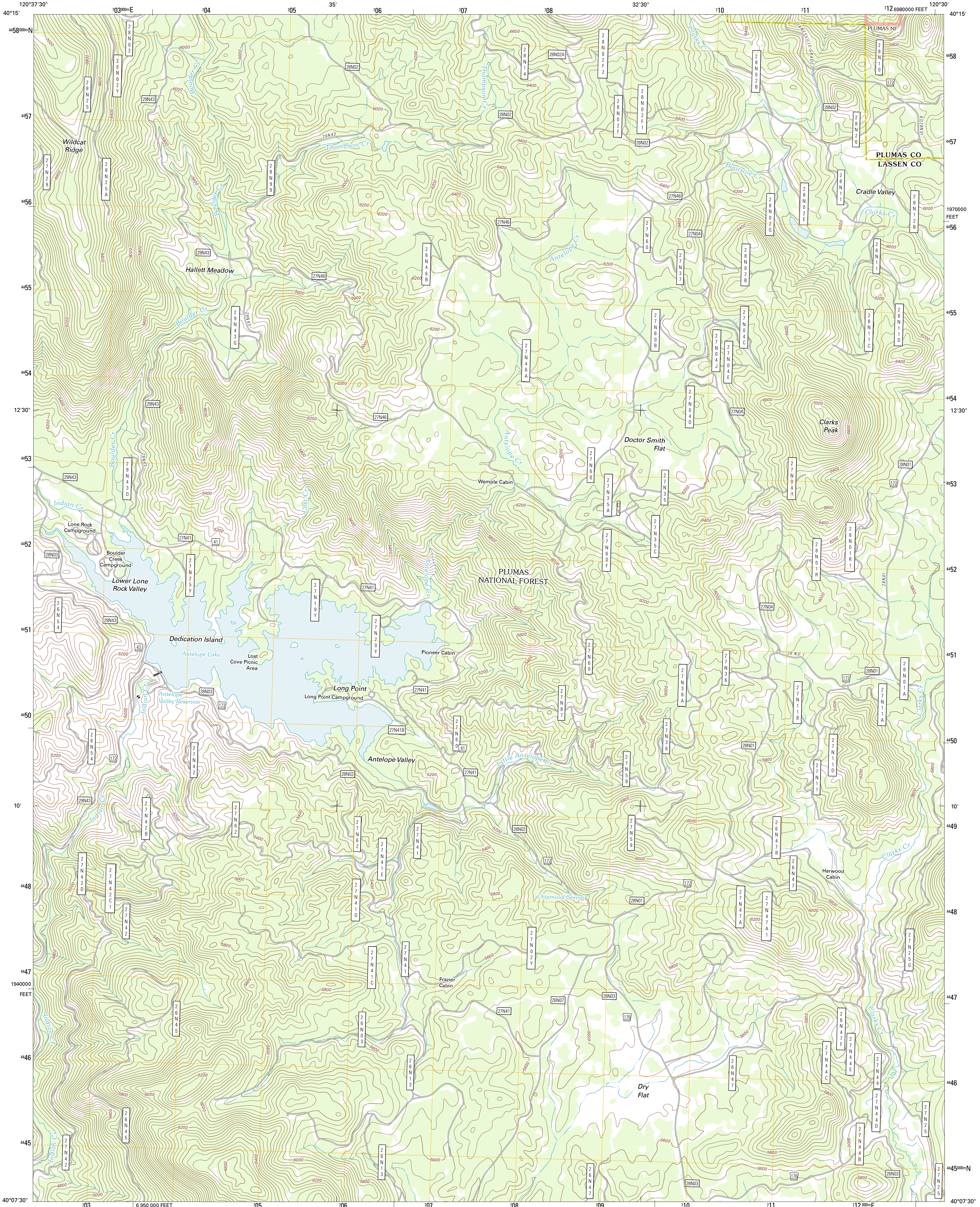




U.S. DEPARTMENT OF THE INTERIOR
U. S. GEOLOGICAL SURVEY

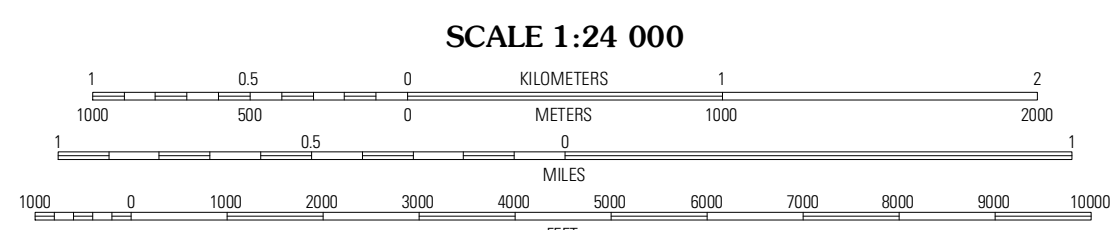
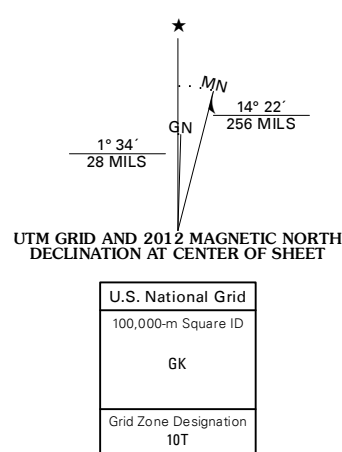


ANTELOPE LAKE QUADRANGLE
CALIFORNIA
7.5-MINUTE SERIES



Produced by the United States Geological Survey
North American Datum of 1983 (NAD83)
World Geodetic System of 1984 (WGS84). Projection and
1 000-meter grid: Universal Transverse Mercator, Zone 10T
10 000-foot ticks: California Coordinate System of 1983
(zone 1)

Imagery.....NAP, July 2010
Roads.....©2006-2011 TomTom
Roads within US Forest Service Lands.....FS Topo Data
with limited Forest Service updates, 2009
Names.....GNIS, 2011
Hydrography.....National Hydrography Dataset, 2010
Contours.....National Elevation Dataset, 1999
Boundaries.....Census, IBWC, IBC, USGS, 1972-2010



CONTOUR INTERVAL 40 FEET
NORTH AMERICAN VERTICAL DATUM OF 1988

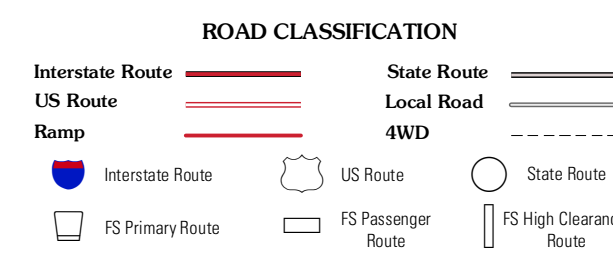
This map was produced to conform with the
National Geospatial Program US Topo Product Standard, 2011.
A metadata file associated with this product is draft version 0.6.1



QUADRANGLE LOCATION

Diamond Mountain	Janesville	Standish
Kettle Rock	Antelope Lake	Stony Ridge
Genevieve Valley	Babcock Peak	Ross Canyon

ADJOINING 7.5' QUADRANGLES



Check with local Forest Service unit
for current travel conditions and restrictions.

ANTELOPE LAKE, CA
2012