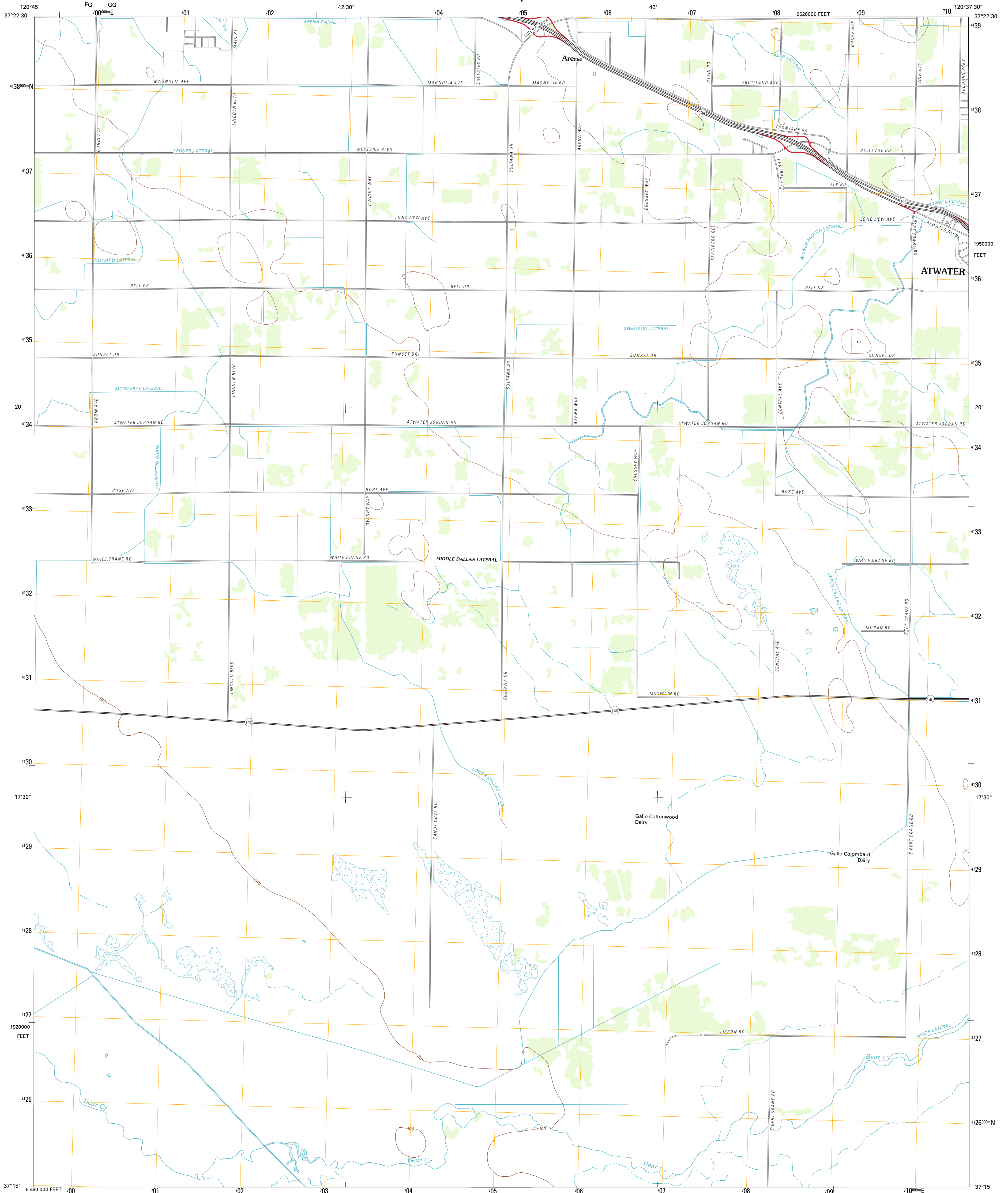




U.S. DEPARTMENT OF THE INTERIOR
U. S. GEOLOGICAL SURVEY

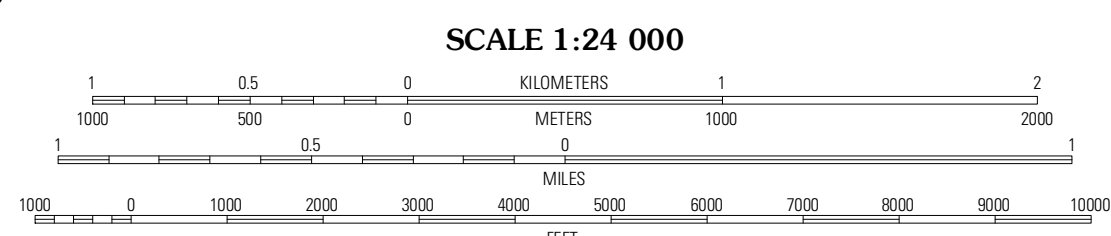
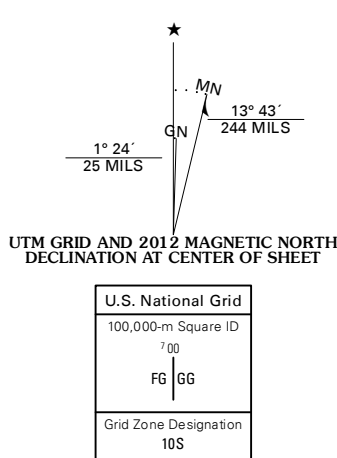


ARENA QUADRANGLE
CALIFORNIA-MERCED CO.
7.5-MINUTE SERIES



Produced by the United States Geological Survey
North American Datum of 1983 (NAD83)
World Geodetic System of 1984 (WGS84). Projection and
1 000-meter grid: Universal Transverse Mercator, Zone 10S
10 000-foot ticks: California Coordinate System of 1983
(zone 3)

Imagery.....NAP, July 2010 - August 2010
Roads.....©2006-2011 TomTom
Names.....GNSS, 2011
Hydrography.....National Hydrography Dataset, 2010
Contours.....National Elevation Dataset, 2005
Boundaries.....Census, BWC, IBC, USGS, 1972 - 2010

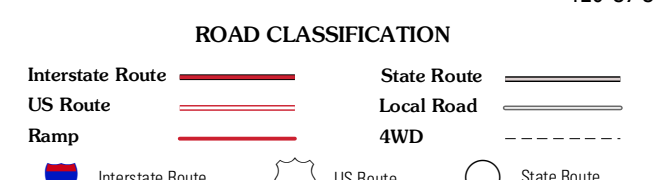


CONTOUR INTERVAL 20 FEET
NORTH AMERICAN VERTICAL DATUM OF 1988
This map was produced to conform with the
National Geospatial Program US Topo Product Standard, 2011.
A metadata file associated with this product is draft version 0.6.1



QUADRANGLE LOCATION

Turlock	Cressey	Winton
Stevenson	Arena	Atwater
San Luis Ranch	Turner Ranch	Sandy Mush



ARENA, CA
2012

ADJOINING 7.5 QUADRANGLES