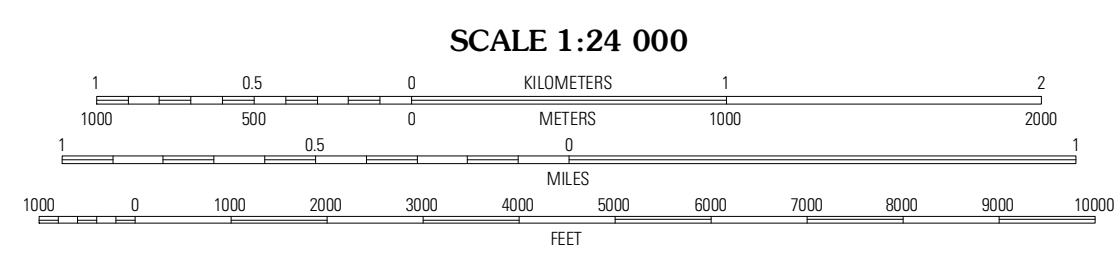
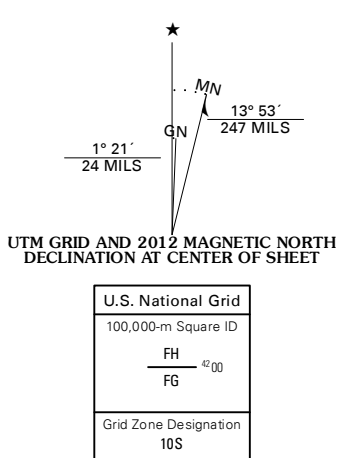


Produced by the United States Geological Survey
North American Datum of 1983 (NAD83)
World Geodetic System of 1984 (WGS84). Projection and
1 000-meter grid: Universal Transverse Mercator, Zone 10S
10 000-foot ticks: California Coordinate System of 1983
(zone 3)

Imagery:.....NAIP, July 2010
Roads:.....©2006-2011 TomTom
Names:.....©2006-2011 TomTom
Hydrography:.....National Hydrography Dataset, 2011
Contours:.....National Elevation Dataset, 2008
Boundaries:.....Census, IBWC, IBC, USGS, 1972 - 2010



CONTOUR INTERVAL 10 FEET
NORTH AMERICAN VERTICAL DATUM OF 1988
This map was produced to conform with the
National Geospatial Program US Topo Product Standard, 2011.
A metadata file associated with this product is draft version 0.6.1



QUADRANGLE LOCATION

Valley Springs SW	Jenny Lind	Salt Spring Valley
Farmington	Bachelor Valley	Copperopolis
Escalon	Oakdale	Knights Ferry

ADJOINING 7.5 QUADRANGLES

