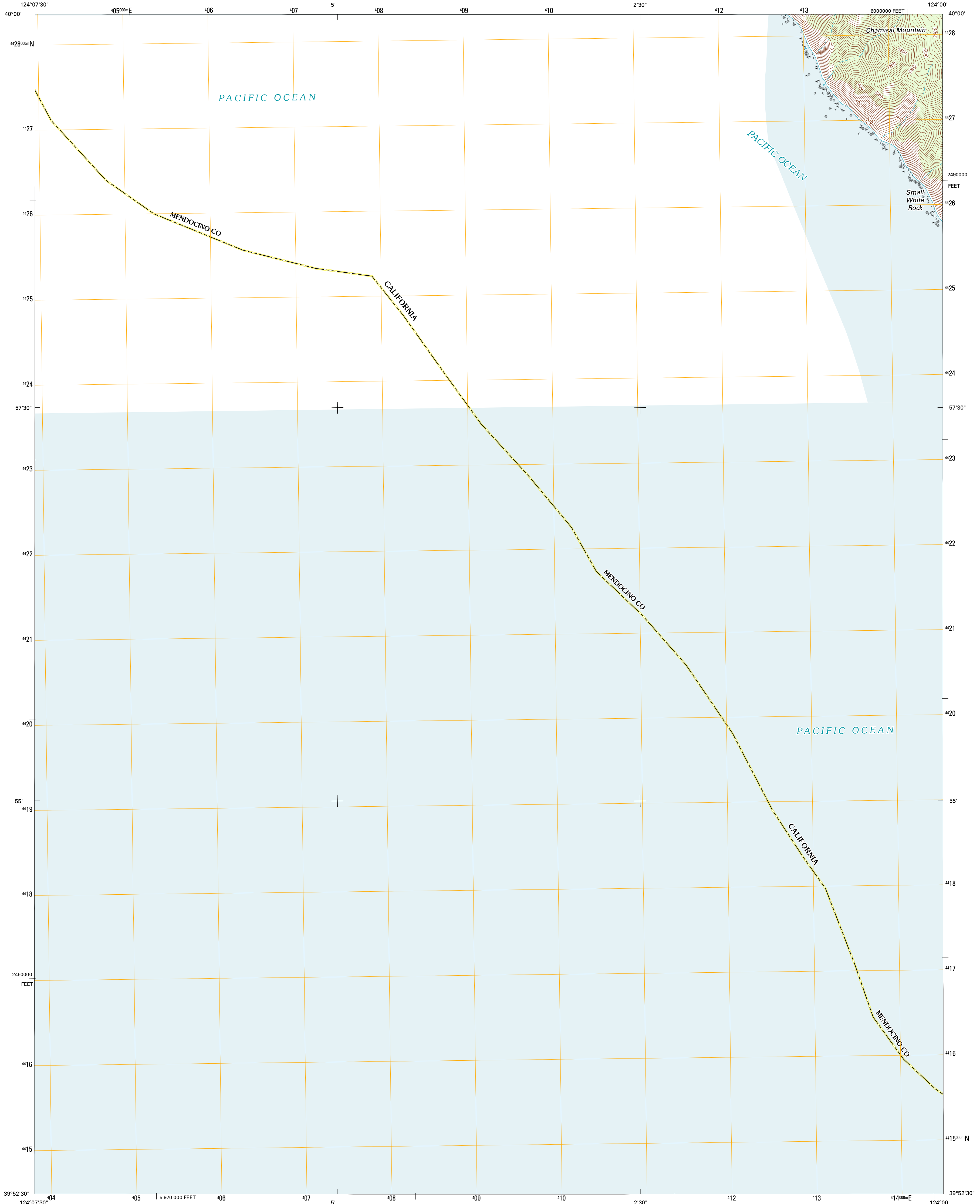




U.S. DEPARTMENT OF THE INTERIOR
U. S. GEOLOGICAL SURVEY

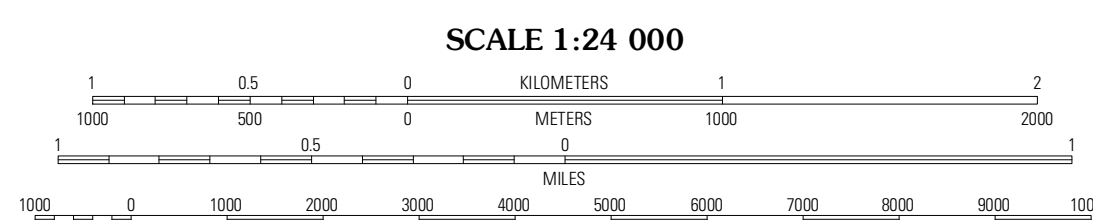
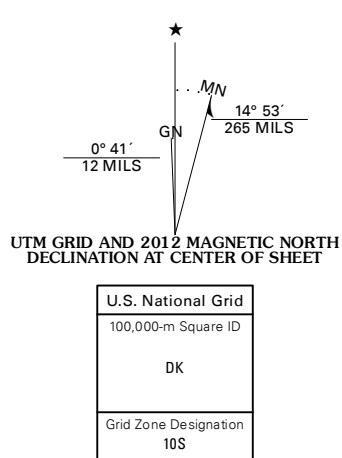


BEAR HARBOR OE W QUADRANGLE
CALIFORNIA-MENDOCINO CO.
7.5-MINUTE SERIES

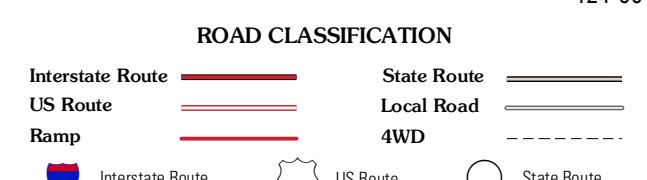
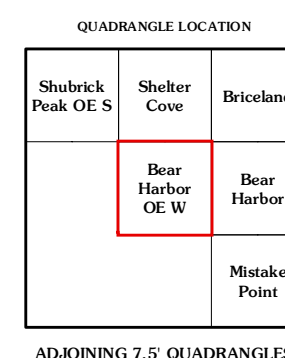


Produced by the United States Geological Survey
North American Datum of 1983 (NAD83)
World Geodetic System of 1984 (WGS84). Projection and
1 000-meter grid: Universal Transverse Mercator, Zone 10S
10 000-foot ticks: California Coordinate System of 1983
(zone 2)

Imagery.....NAIP, June 2010
Roads.....©2006-2011 TomTom
Names.....GNS, 2011
Hydrography.....National Hydrography Dataset, 2010
Contours.....National Elevation Dataset, 1999
Boundaries.....Census, BWC, IBC, USGS, 1972 - 2010



SCALE 1:24 000
CONTOUR INTERVAL 40 FEET
NORTH AMERICAN VERTICAL DATUM OF 1988
This map was produced to conform with the
National Geospatial Program US Topo Product Standard, 2011.
A metadata file associated with this product is draft version 0.6.1



BEAR HARBOR OE W, CA
2012