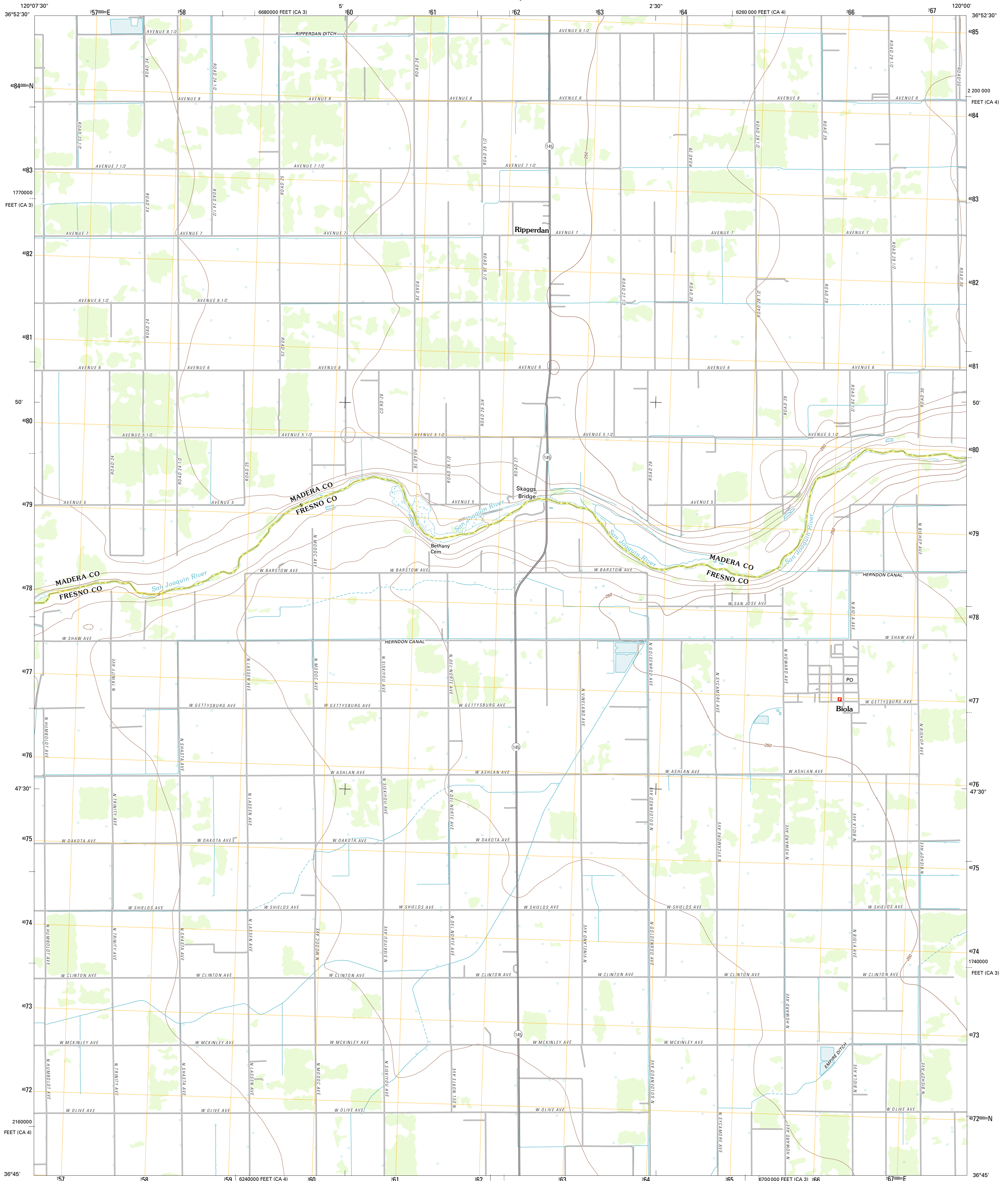




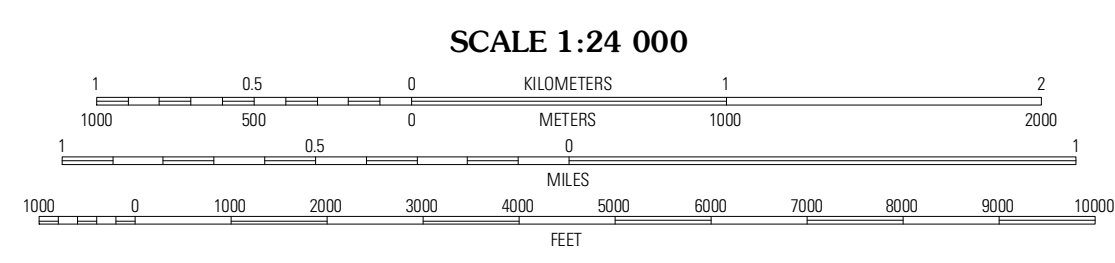
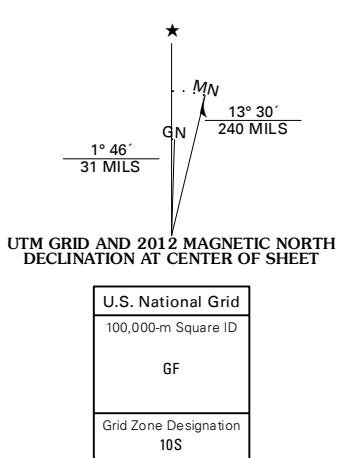
U.S. DEPARTMENT OF THE INTERIOR  
U. S. GEOLOGICAL SURVEY



BIOLA QUADRANGLE  
CALIFORNIA  
7.5-MINUTE SERIES

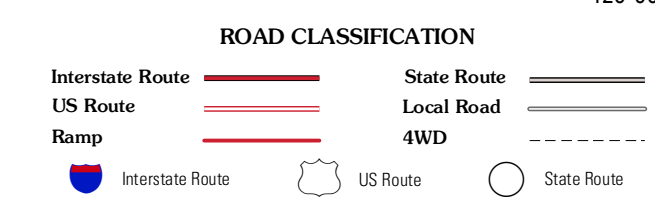


Produced by the United States Geological Survey  
North American Datum of 1983 (NAD83)  
World Geodetic System of 1984 (WGS84) Projection and  
1 000-meter grid: Universal Transverse Mercator, Zone 10S  
10 000-foot ticks: California Coordinate System of 1983  
(zones 4 and 3)



CONTOUR INTERVAL 10 FEET  
NORTH AMERICAN VERTICAL DATUM OF 1988

This map was produced to conform with the National Geospatial Program US Topo Product Standard, 2011. A metadata file associated with this product is draft version 0.6.1



QUADRANGLE LOCATION

Bonita Ranch	Madera	Gregg
Gravelly Ford	Biola	Herridon
Jameson	Kerman	Keeney Park

BIOLA, CA  
2012

ADJOINING 7.5' QUADRANGLES