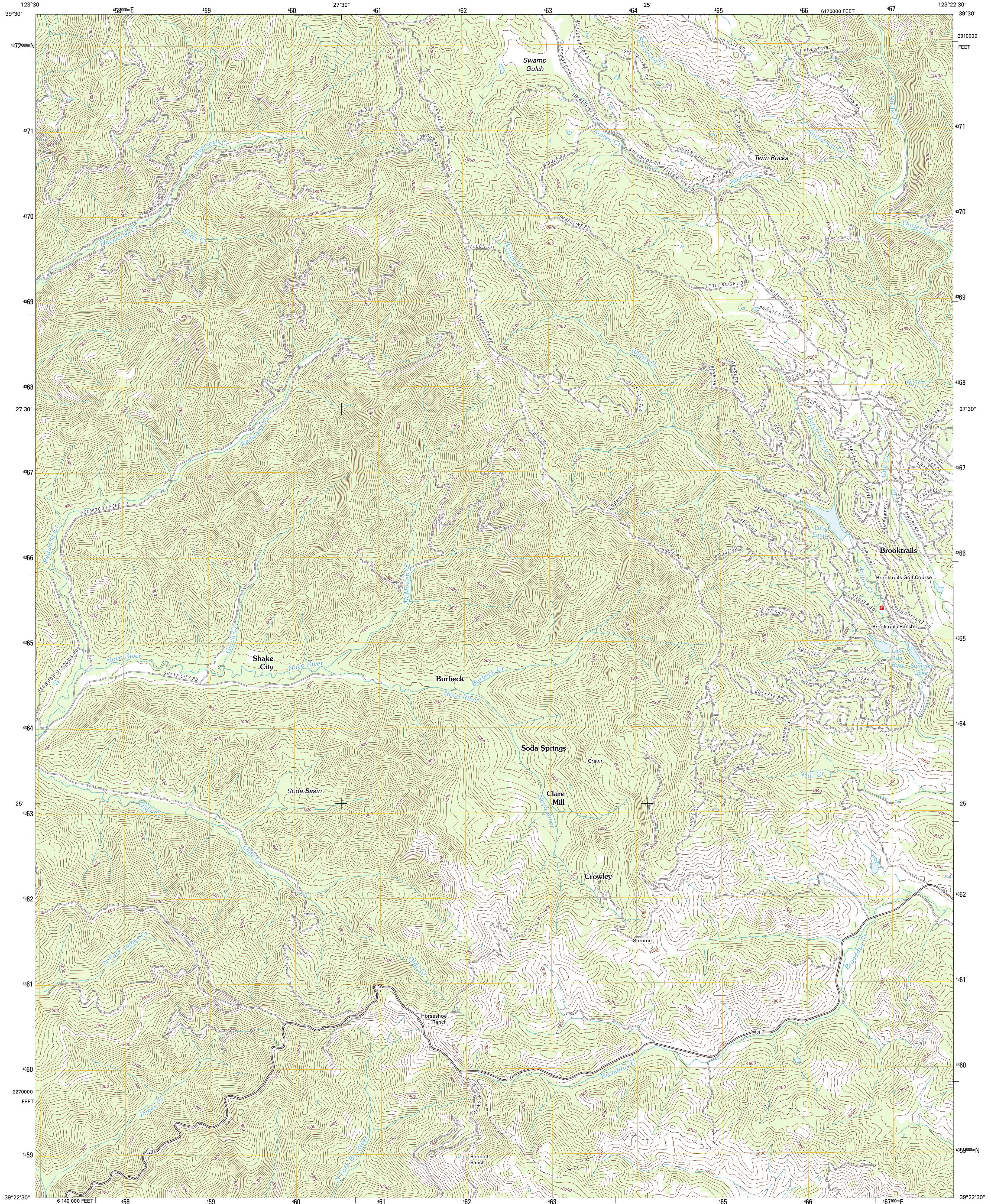




U.S. DEPARTMENT OF THE INTERIOR
U. S. GEOLOGICAL SURVEY

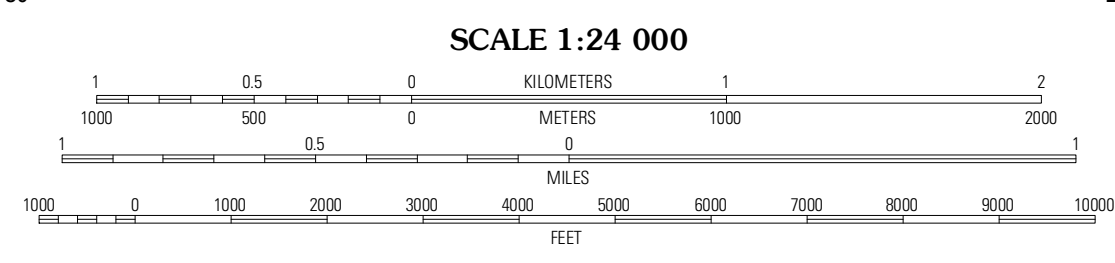
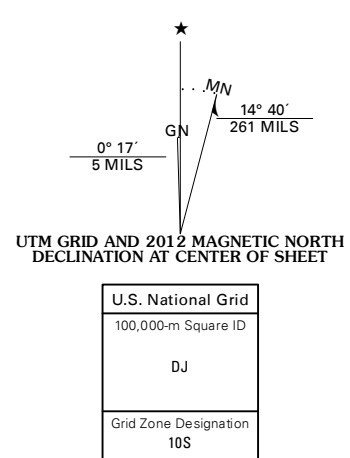


BURBECK QUADRANGLE
CALIFORNIA-MENDOCINO CO.
7.5-MINUTE SERIES



Produced by the United States Geological Survey
North American Datum of 1983 (NAD83)
World Geodetic System of 1984 (WGS84) Projection and
1 000-meter grid: Universal Transverse Mercator, Zone 10S
10 000-foot ticks: California Coordinate System of 1983
(zone 2)

Imagery.....NAIP, June 2010
Roads.....©2006-2011 TomTom
Names.....GNIS, 2011
Hydrography.....National Hydrography Dataset, 2010
Contours.....National Elevation Dataset, 1999
Boundaries.....Census, IBWC, IBC, USGS, 1972 - 2010



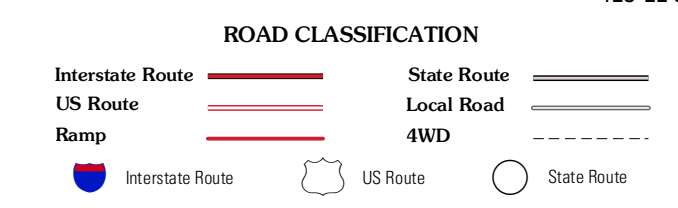
CONTOUR INTERVAL 40 FEET
NORTH AMERICAN VERTICAL DATUM OF 1988

This map was produced to conform with the National Geospatial Program US Topo Product Standard, 2011. A metadata file associated with this product is draft version 0.6.1



Sherwood Peak	Longate	Wills Ridge
Northspur	Burbeck	Wills
Comanche	Greenough Ridge	Laughlin Range

ADJOINING 7.5' QUADRANGLES



BURBECK, CA
2012