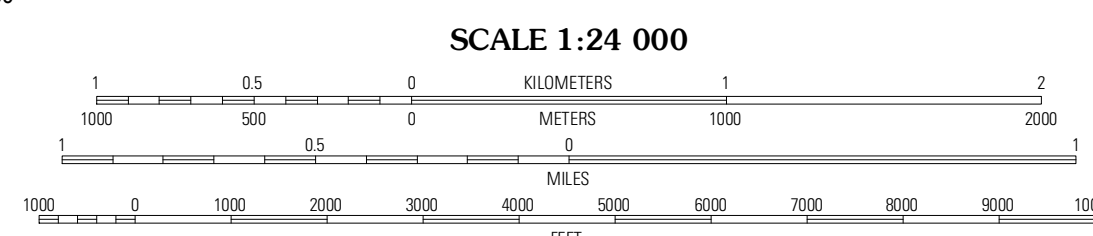
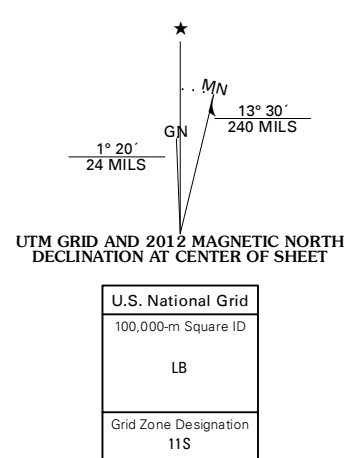


Produced by the United States Geological Survey
North American Datum of 1983 (NAD83)
World Geodetic System of 1984 (WGS84). Projection and
1 000-meter grid: Universal Transverse Mercator, Zone 11S
10 000-foot ticks: California Coordinate System of 1983
(zones 3 and 4)



CONTOUR INTERVAL 80 FEET
NORTH AMERICAN VERTICAL DATUM OF 1988

This map was produced to conform with the
National Geospatial Program US Topo Product Standard, 2011.
A metadata file associated with this product is draft version 0.6.1



QUADRANGLE LOCATION

Mount Lyell	Mount Ritter	Mammoth Mountain
Timber Knob	Cattle Mountain	Crystal Crag
Plynu Dome	Bullhorn Dome	Sharktooth Peak

ROAD CLASSIFICATION

	Interstate Route		State Route
	US Route		Local Road
	Ramp		4WD
	FS Primary Route		FS Passenger Route
	FS High Clearance Route		

Check with local Forest Service unit
for current travel conditions and restrictions.

CATTLE MOUNTAIN, CA
2012

ADJOINING 7.5' QUADRANGLES