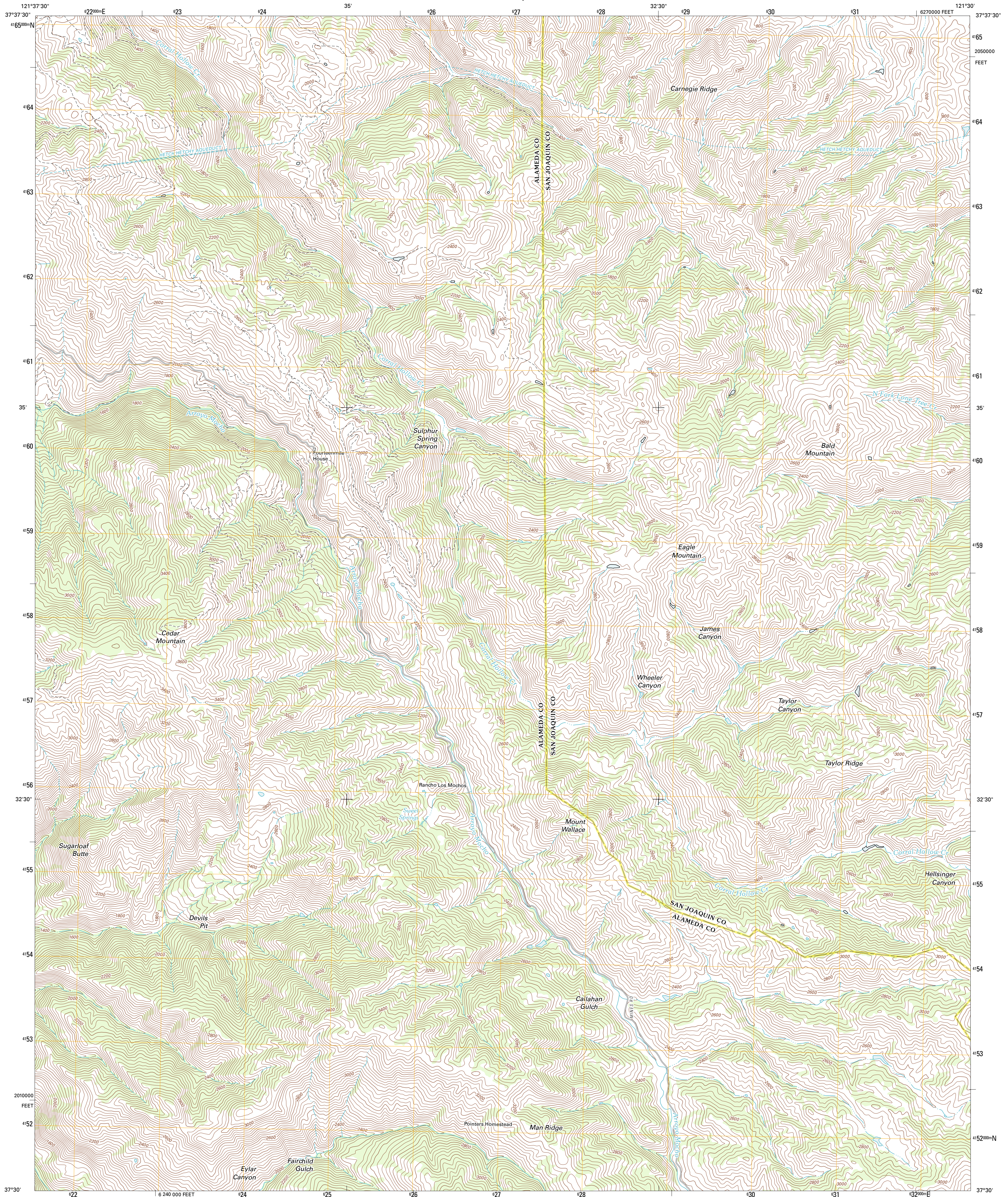




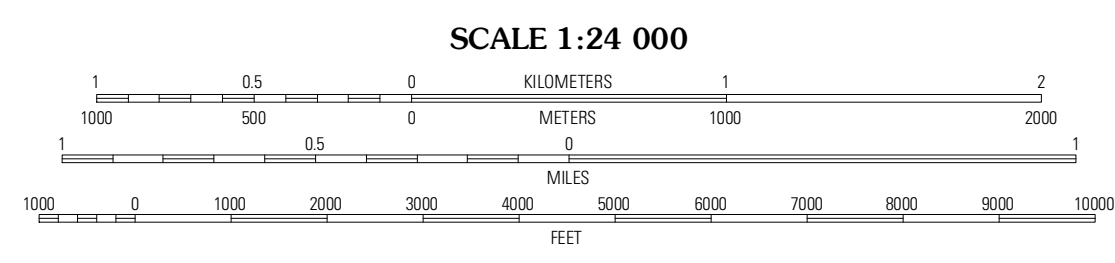
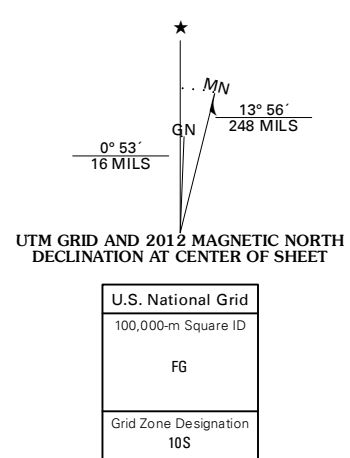
U.S. DEPARTMENT OF THE INTERIOR
U. S. GEOLOGICAL SURVEY



CEDAR MOUNTAIN QUADRANGLE
CALIFORNIA
7.5-MINUTE SERIES



Produced by the United States Geological Survey
North American Datum of 1983 (NAD83)
World Geodetic System of 1984 (WGS84). Projection and
1 000-meter grid: Universal Transverse Mercator, Zone 10S
10 000-foot ticks: California Coordinate System of 1983
(zone 3)



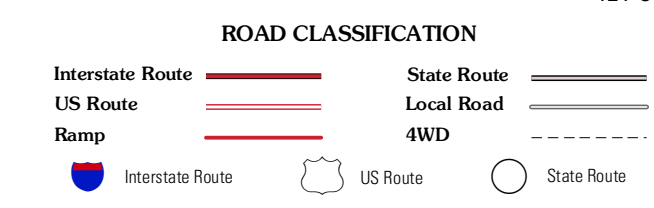
SCALE 1:24 000
CONTOUR INTERVAL 40 FEET
NORTH AMERICAN VERTICAL DATUM OF 1988
This map was produced to conform with the
National Geospatial Program US Topo Product Standard, 2011.
A metadata file associated with this product is draft version 0.6.1



QUADRANGLE LOCATION

Altamont	Midway	Tracy
Mendenhall Springs	Cedar Mountain	Lone Tree Creek
Mount Day	Eyer Mountain	Mount Boardman

ADJOINING 7.5 QUADRANGLES



CEDAR MOUNTAIN, CA
2012