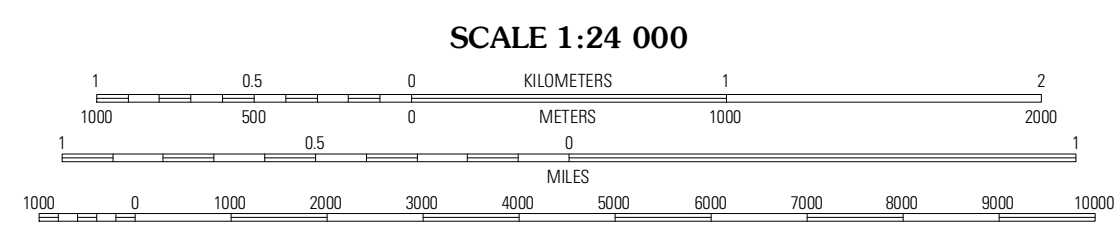
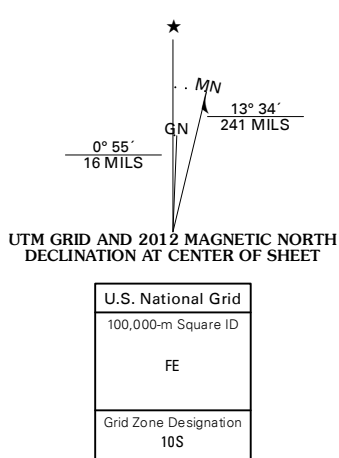


Produced by the United States Geological Survey  
North American Datum of 1983 (NAD83)  
Roads.....2006-2011 TomTom  
World Geodetic System of 1984 (WGS84). Projection and  
1 000-meter grid: Universal Transverse Mercator, Zone 10S  
10 000-foot ticks: California Coordinate System of 1983  
(zone 4)

Imagery.....NAIP, July 2010 - August 2010  
Roads.....2006-2011 TomTom  
Roads within US Forest Service Lands.....FSTopo Data  
with limited Forest Service updates, 2009  
Names.....GNIS, 2011  
Hydrography.....National Hydrography Dataset, 2010  
Contours.....National Elevation Dataset, 2002  
Boundaries.....Census, IBWC, IBC, USGS, 1972 - 2010

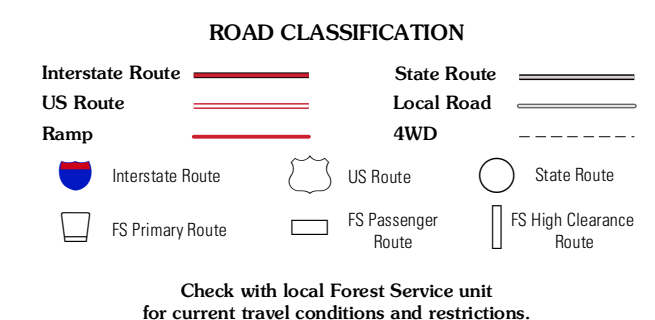


CONTOUR INTERVAL 20 FEET  
NORTH AMERICAN VERTICAL DATUM OF 1988  
This map was produced to conform with the  
National Geospatial Program US Topo Product Standard, 2011.  
A metadata file associated with this product is draft version 0.6.1



QUADRANGLE LOCATION

Zigzag Creek	Junipero Sierra Peak	Reliz Canyon
Lopez Point	Cone Peak	Bear Canyon
Cape San Martin OE W	Cape San Martin	Alder Peak



Check with local Forest Service unit for current travel conditions and restrictions.

**CONE PEAK, CA**  
2012

ADJOINING 7.5' QUADRANGLES