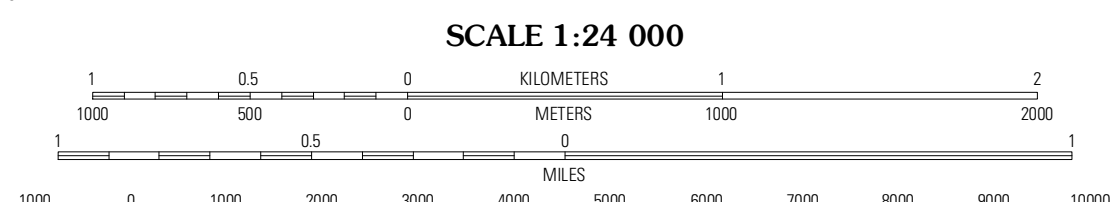
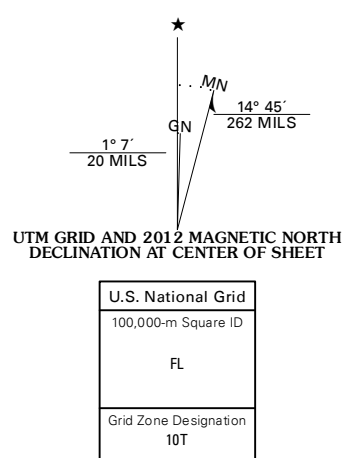


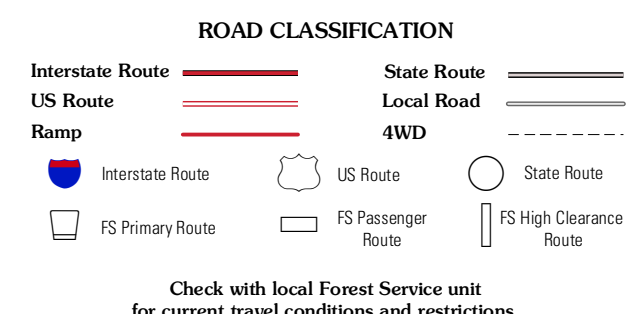
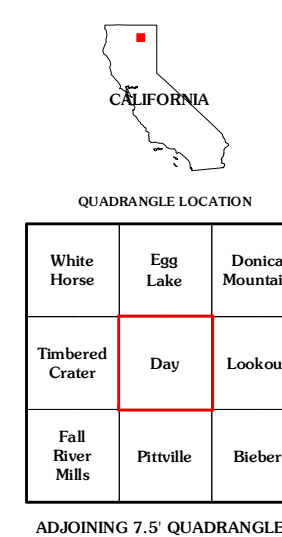
Produced by the United States Geological Survey  
North American Datum of 1983 (NAD83)  
World Geodetic System of 1984 (WGS84). Projection and  
1 000-meter grid: Universal Transverse Mercator, Zone 10T  
10 000-foot ticks: California Coordinate System of 1983  
(zone 1)

Imagery: NAIP, June 2010 - July 2010  
Roads: ©2006-2011 TomTom  
Roads within US Forest Service Lands: FS Topo Data  
with limited Forest Service updates, 2009  
Names: GNIS, 2011  
Hydrography: National Hydrography Dataset, 2010  
Contours: National Elevation Dataset, 1999  
Boundaries: Census, IBWC, USGS, 1972 - 2010



CONTOUR INTERVAL 40 FEET  
NORTH AMERICAN VERTICAL DATUM OF 1988

This map was produced to conform with the  
National Geospatial Program US Topo Product Standard, 2011.  
A metadata file associated with this product is draft version 0.6.1



**DAY, CA**  
2012

ADJOINING 7.5' QUADRANGLES