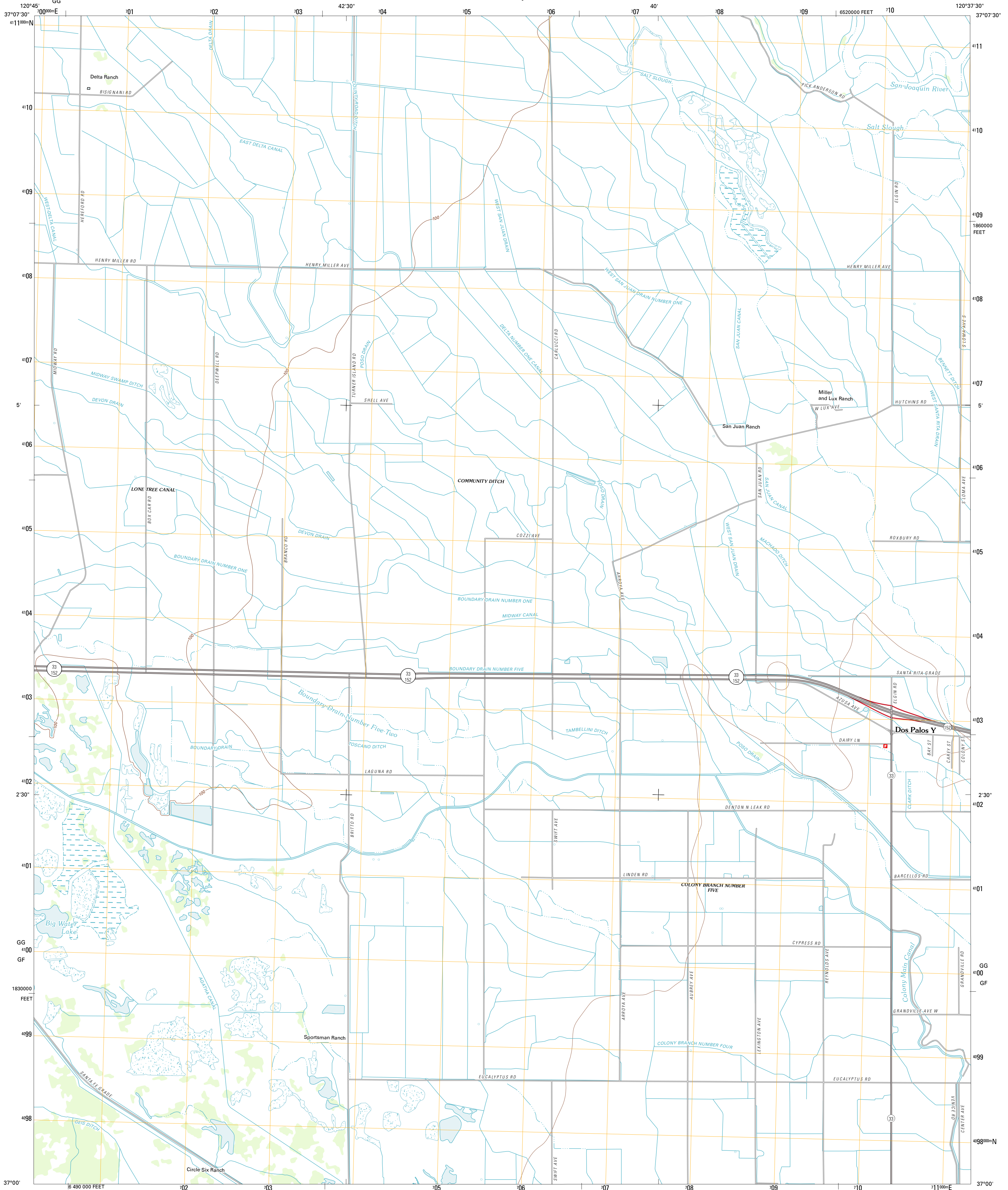




U.S. DEPARTMENT OF THE INTERIOR
U. S. GEOLOGICAL SURVEY

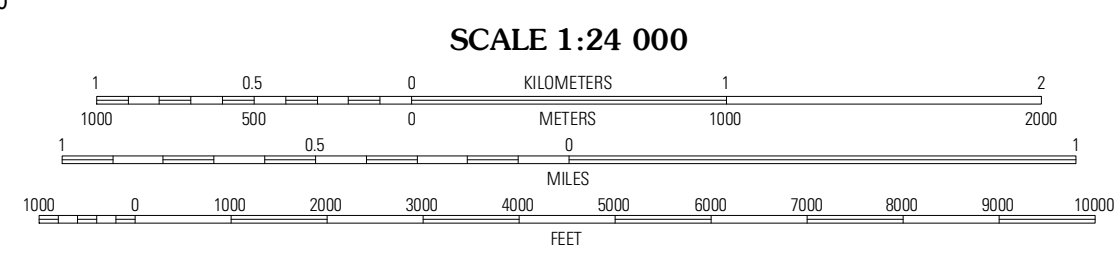
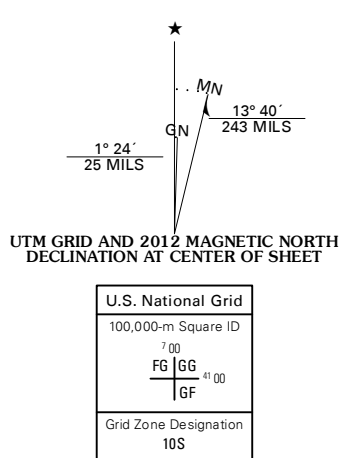


DELTA RANCH QUADRANGLE
CALIFORNIA-MERCED CO.
7.5-MINUTE SERIES



Produced by the United States Geological Survey
North American Datum of 1983 (NAD83)
World Geodetic System of 1984 (WGS84). Projection and
1 000-meter grid: Universal Transverse Mercator, Zone 10S
10 000-foot ticks: California Coordinate System of 1983
(zone 3)

Imagery.....NAIP, August 2010
Roads.....©2006-2011 TomTom
Names.....©2011 CNIS, 2011
Hydrography.....National Hydrography Dataset, 2010
Contours.....National Elevation Dataset, 2005
Boundaries.....Census, IBWC, BIC, USGS, 1972 - 2010



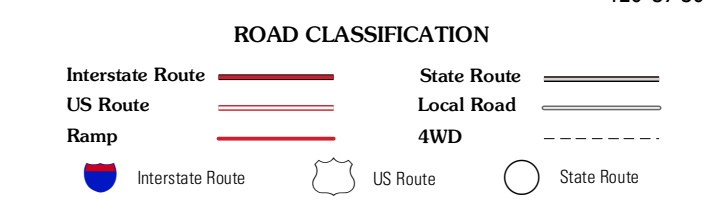
CONTOUR INTERVAL 10 FEET
NORTH AMERICAN VERTICAL DATUM OF 1988

This map was produced to conform with the
National Geospatial Program US Topo Product Standard, 2011.
A metadata file associated with this product is draft version 0.6.1



QUADRANGLE LOCATION

San Luis Ranch	Turner Ranch	Sandy Mush
Los Banos	Delta Ranch	Santa Rita Bridge
Charleston School	Dos Palos	Oxalis



DELTA RANCH, CA
2012

ADJOINING 7.5' QUADRANGLES