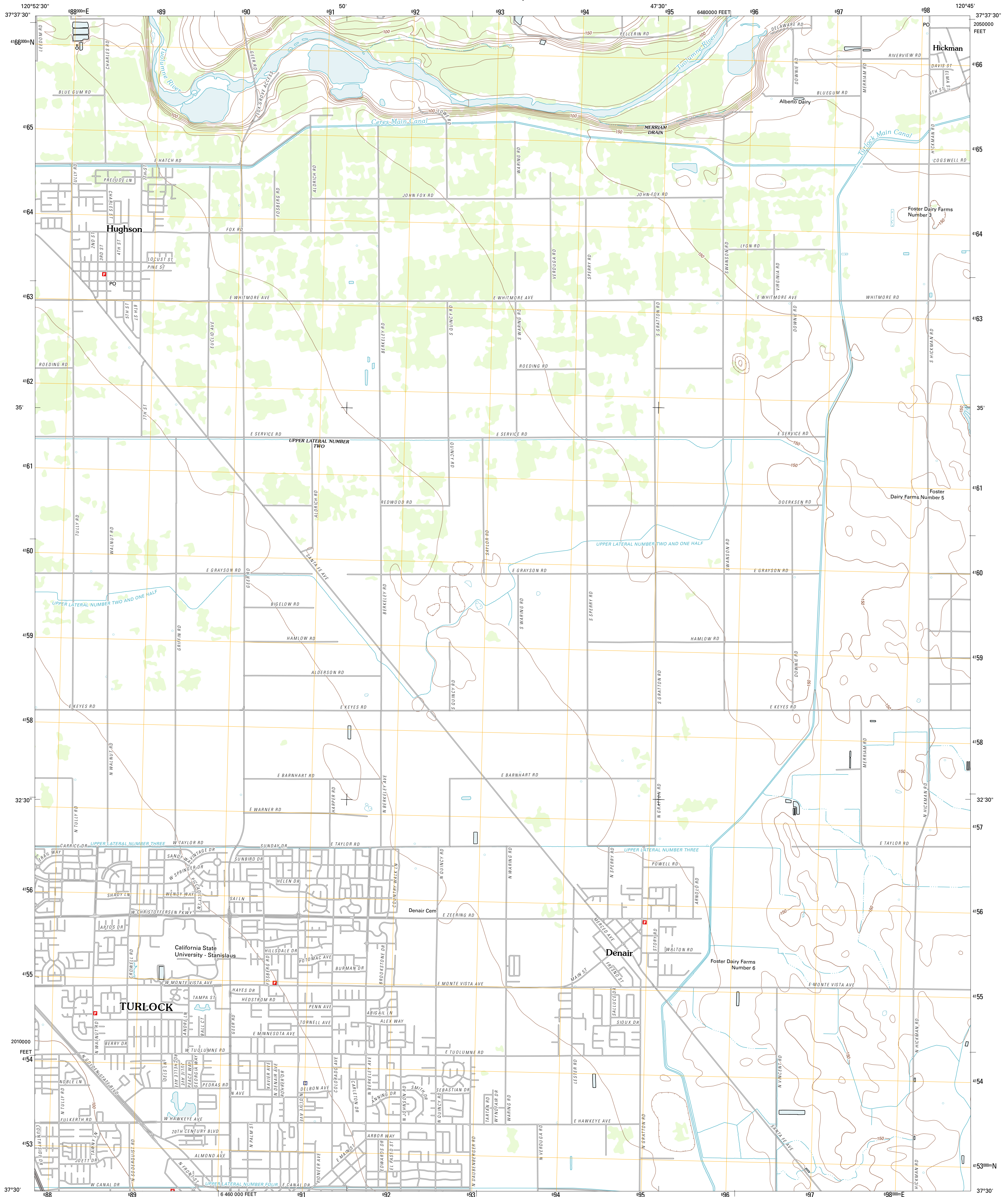




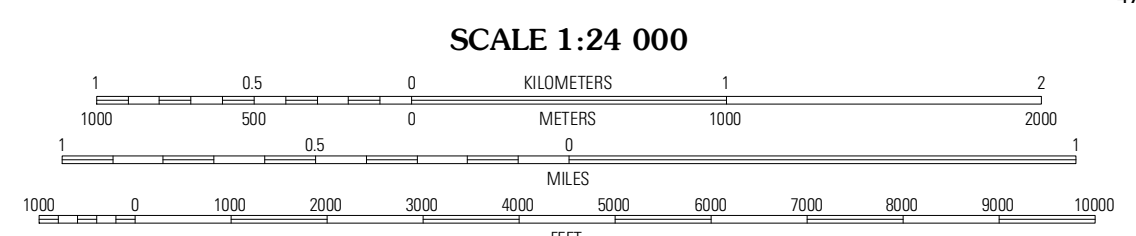
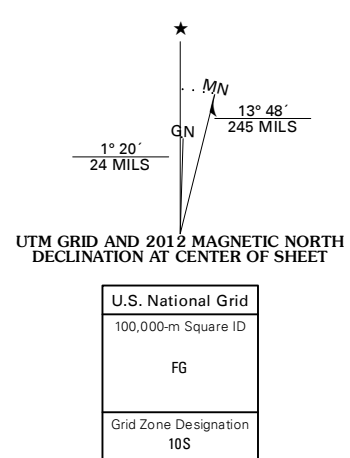
U.S. DEPARTMENT OF THE INTERIOR
U. S. GEOLOGICAL SURVEY



DENAIR QUADRANGLE
CALIFORNIA-STANISLAUS CO.
7.5-MINUTE SERIES



Produced by the United States Geological Survey
North American Datum of 1983 (NAD83)
World Geodetic System of 1984 (WGS84). Projection and
1 000-meter grid: Universal Transverse Mercator, Zone 10S
10 000-foot ticks: California Coordinate System of 1983
(zone 3)



CONTOUR INTERVAL 10 FEET
NORTH AMERICAN VERTICAL DATUM OF 1988
This map was produced to conform with the
National Geospatial Program US Topo Product Standard, 2011.
A metadata file associated with this product is draft version 0.6.1



ROAD CLASSIFICATION

Interstate Route	State Route
US Route	Local Road
Ramp	4WD

Interstate Route
 US Route
 State Route

QUADRANGLE LOCATION

Riverbank	Waterford	Paulsill
Ceres	Denair	Montpelier
Hatch	Turlock	Cressey

ADJOINING 7.5' QUADRANGLES

DENAIR, CA
2012