



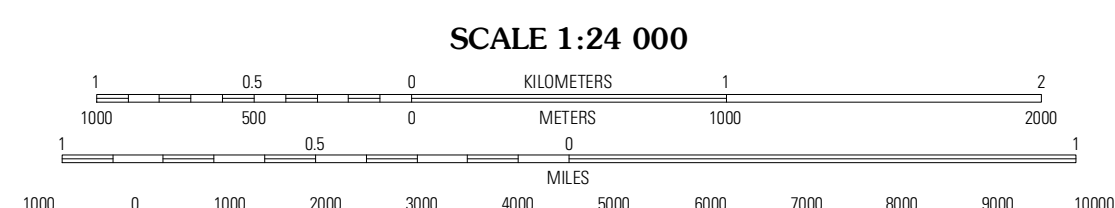
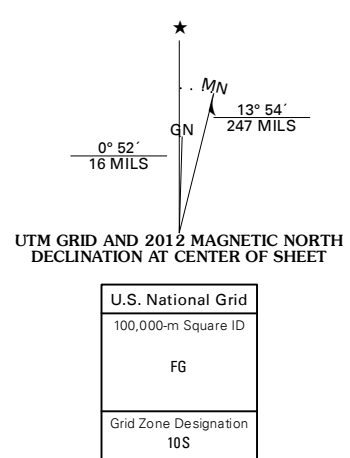
U.S. DEPARTMENT OF THE INTERIOR
U. S. GEOLOGICAL SURVEY



EYLAR MOUNTAIN QUADRANGLE
CALIFORNIA
7.5-MINUTE SERIES



Produced by the United States Geological Survey
North American Datum of 1983 (NAD83)
World Geodetic System of 1984 (WGS84). Projection and
1 000-meter grid: Universal Transverse Mercator, Zone 10S
10 000-foot ticks: California Coordinate System of 1983
(zone 3)



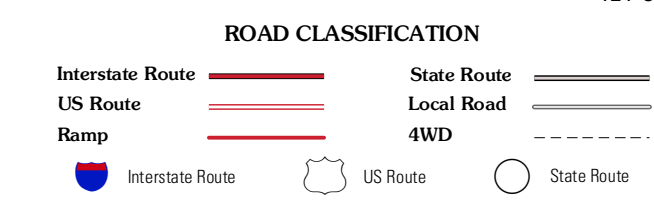
CONTOUR INTERVAL 40 FEET
NORTH AMERICAN VERTICAL DATUM OF 1988
This map was produced to conform with the
National Geospatial Program US Topo Product Standard, 2011.
A metadata file associated with this product is draft version 0.6.1



QUADRANGLE LOCATION

Mendenhall Springs	Cedar Mountain	Lone Tree Creek
Mount Day	Eylar Mountain	Mount Boardman
Lick Observatory	Isabel Valley	Mount Stokes

ADJOINING 7.5 QUADRANGLES



EYLAR MOUNTAIN, CA
2012