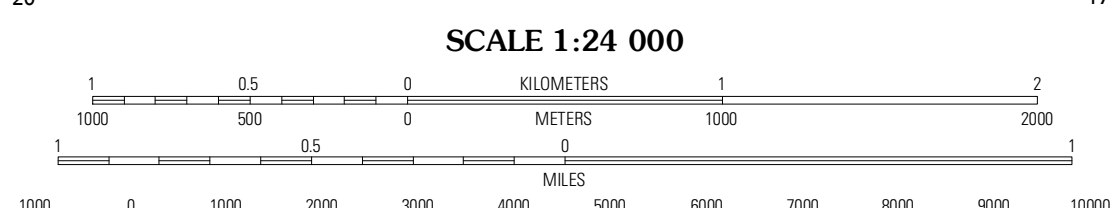
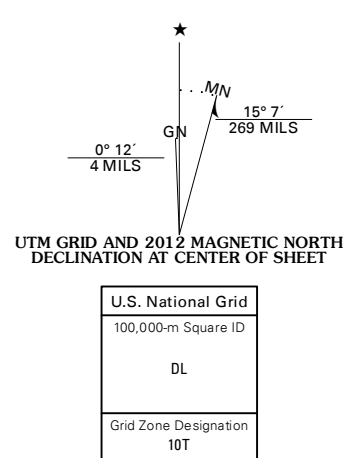


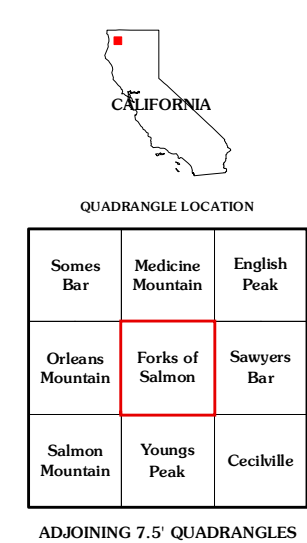
Produced by the United States Geological Survey
North American Datum of 1983 (NAD83)
World Geodetic System of 1984 (WGS84). Projection and
1 000-meter grid: Universal Transverse Mercator, Zone 10T
10 000-foot ticks: California Coordinate System of 1983
(zone 1)

Imagery.....N.A.P., July 2010
Roads.....©2006-2011 TomTom
Roads within US Forest Service Lands.....FS Topo Data
with limited Forest Service updates, 2009
Names.....©GNSS, 2011
Hydrography.....National Hydrography Dataset, 2010
Contours.....National Elevation Dataset, 2001
Boundaries.....Census, IBWC, IBC, USGS, 1972 - 2010



CONTOUR INTERVAL 80 FEET
NORTH AMERICAN VERTICAL DATUM OF 1988

This map was produced to conform with the
National Geospatial Program US Topo Product Standard, 2011.
A metadata file associated with this product is draft version 0.6.1



ROAD CLASSIFICATION

Interstate Route	State Route
US Route	Local Road
Ramp	4WD
Interstate Route	US Route
FS Primary Route	FS Passenger Route
	FS High Clearance Route

Check with local Forest Service unit
for current travel conditions and restrictions.

FORKS OF SALMON, CA
2012

ADJOINING 7.5' QUADRANGLES