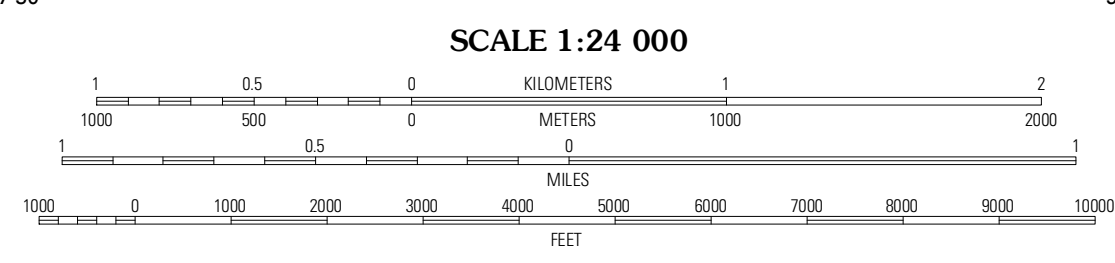
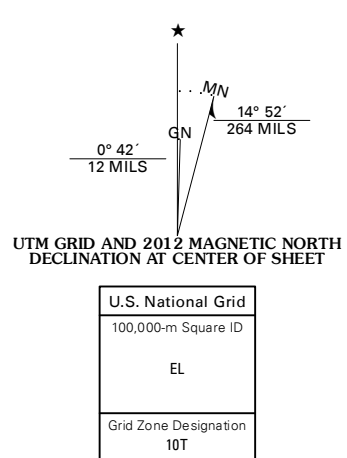


Produced by the United States Geological Survey
North American Datum of 1983 (NAD83)
World Geodetic System of 1984 (WGS84). Projection and
1 000-meter grid: Universal Transverse Mercator, Zone 10T
10 000-foot ticks: California Coordinate System of 1983
(zone 1)

Imagery.....NAIP, July 2010
Roads.....©2006-2011 TomTom
Roads within US Forest Service Lands.....FS Topo Data
with limited Forest Service updates, 2009
Names.....GNIS, 2011
Hydrography.....National Hydrography Dataset, 2010
Contours.....National Elevation Dataset, 2001
Boundaries.....Census, IBWC, IBC, USGS, 1972 - 2010



Elk Spring	Kinson	Bartle
Lake McCloud	Grizzly Peak	Dead Horse Summit
Shoshone Mountain	Big Bend	Skunk Ridge

ROAD CLASSIFICATION

Interstate Route (thick red line)
US Route (red line)
Ramp (red line with arrow)
FS Primary Route (blue line with 'P')
FS Passenger Route (blue line with 'P')
FS High Clearance Route (blue line with 'H')State Route (grey line)
Local Road (grey line)
4WD (grey line with '4WD')
FS High Clearance Route (grey line with 'H')

Check with local Forest Service unit for current travel conditions and restrictions.

GRIZZLY PEAK, CA
2012

ADJOINING 7.5' QUADRANGLES