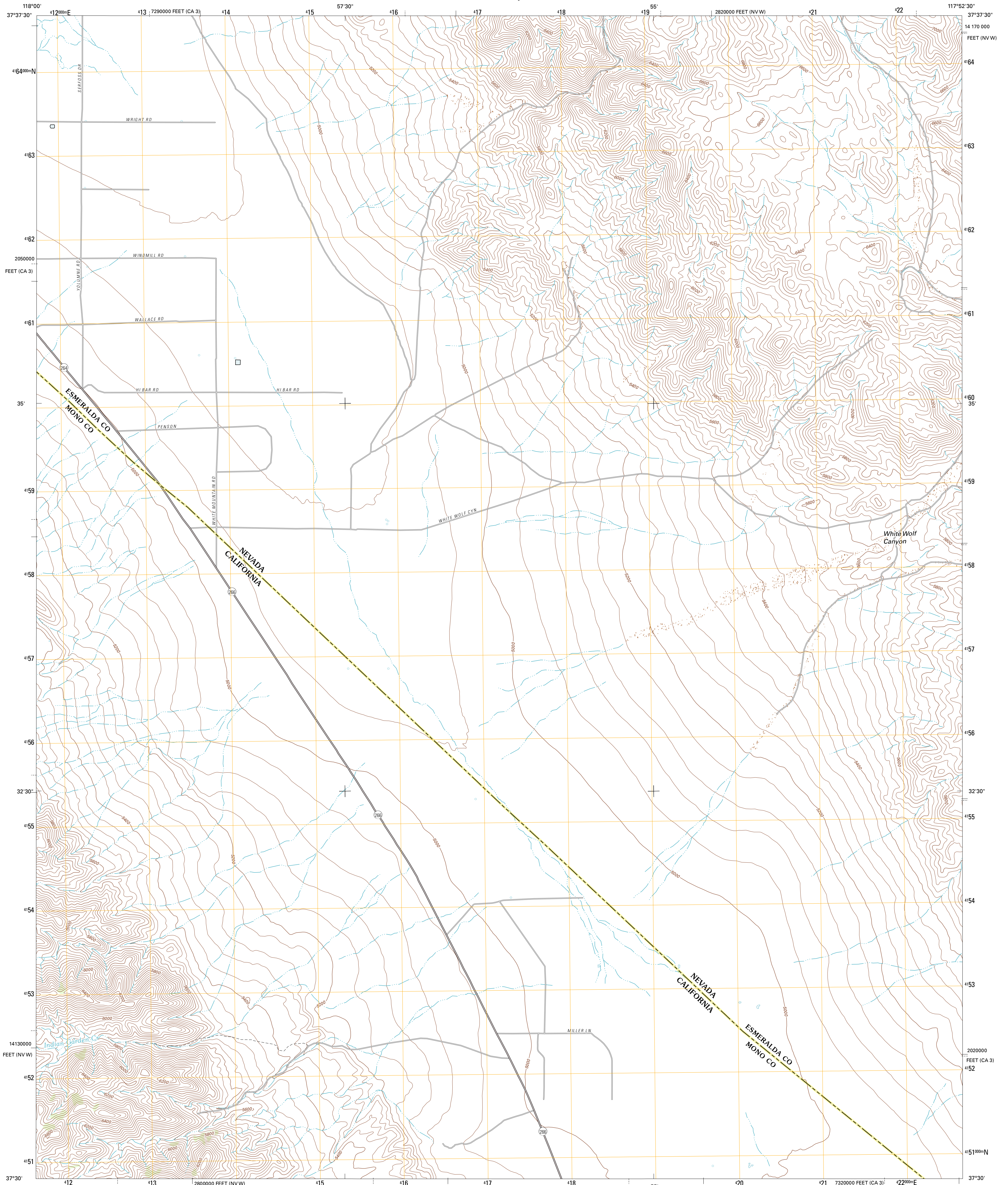




U.S. DEPARTMENT OF THE INTERIOR
U. S. GEOLOGICAL SURVEY

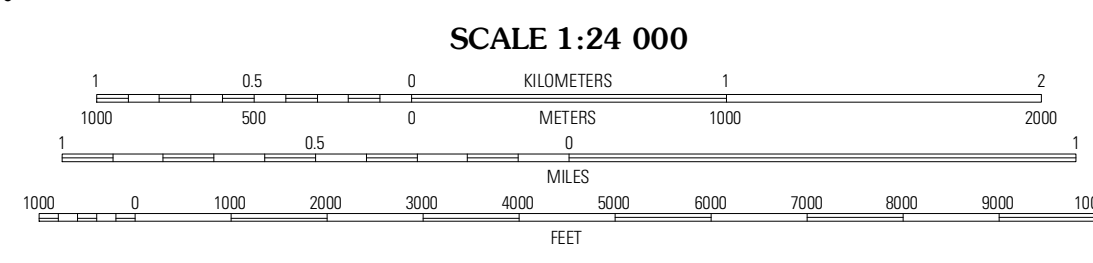
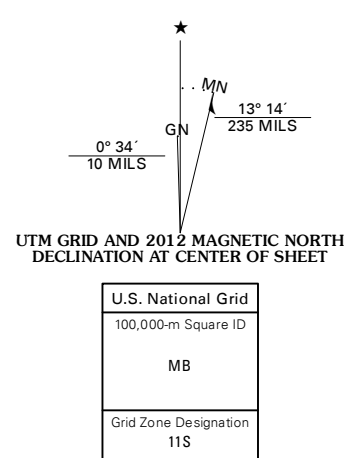


INDIAN GARDEN CREEK QUADRANGLE
CALIFORNIA-NEVADA
7.5-MINUTE SERIES



Produced by the United States Geological Survey
North American Datum of 1983 (NAD83)
World Geodetic System of 1984 (WGS84). Projection and
1 000-meter grid: Universal Transverse Mercator, Zone 11S
10 000-foot ticks: Nevada Coordinate System of 1983 (west
zone), California Coordinate System of 1983 (zone 3)

Imagery.....NAIP, June 2010
Roads.....©2006-2011 TomTom
Names.....GNIS, 2011
Hydrography.....National Hydrography Dataset, 2010
Contours.....National Elevation Dataset, 2001
Boundaries.....Census, IBWC, IBC, USGS, 1972 - 2010



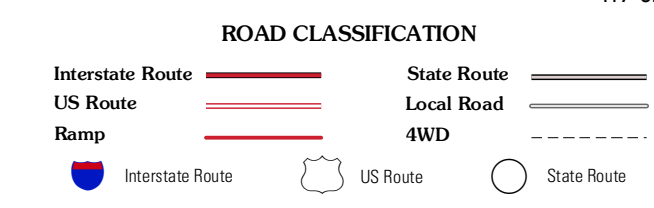
CONTOUR INTERVAL 40 FEET
NORTH AMERICAN VERTICAL DATUM OF 1988

This map was produced to conform with the
National Geospatial Program US Topo Product Standard, 2011.
A metadata file associated with this product is draft version 0.6.1



QUADRANGLE LOCATION

Dyer	Piper Peak	Mohawk Mine
Station Peak	Indian Garden Creek	Oasis Ditch
Crooked Creek	Chocoma Mountain	Sylvania Canyon



INDIAN GARDEN CREEK, CA-NV
2012

ADJOINING 7.5 QUADRANGLES