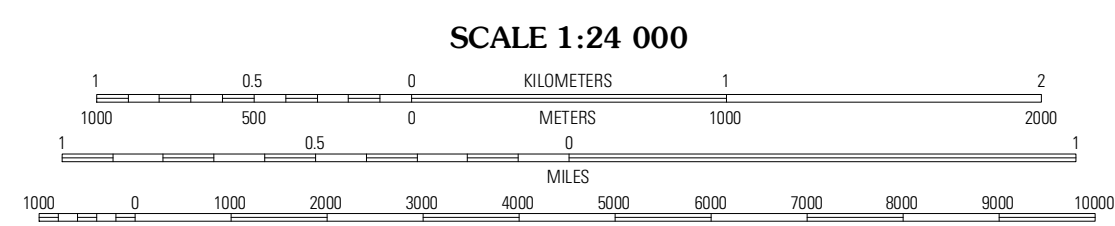
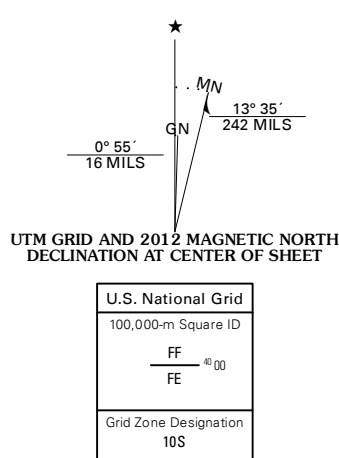




Produced by the United States Geological Survey
North American Datum of 1983 (NAD83)
World Geodetic System of 1984 (WGS84). Projection and
1 000-foot ticks: California Coordinate System of 1983
(zone 4)

Imagery:.....NAP, July 2010
Roads:.....2006-2011 TomTom
Roads within US Forest Service Lands:.....FSTopo Data
with limited Forest Service updates, 2009
Names:.....GNS, 2011
Hydrography:.....National Hydrography Dataset, 2010
Contours:.....National Elevation Dataset, 2006
Boundaries:.....Census, IBWC, IBC, USGS, 1972 - 2010

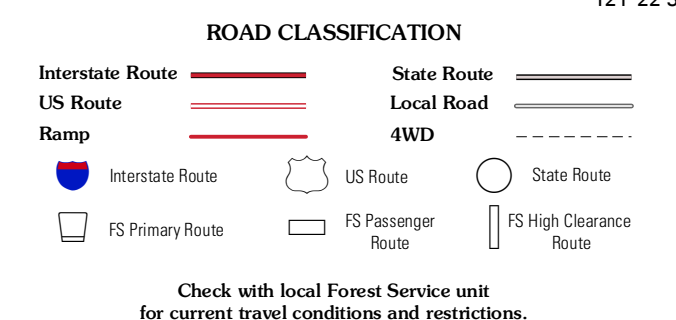


CONTOUR INTERVAL 20 FEET
NORTH AMERICAN VERTICAL DATUM OF 1988

This map was produced to conform with the
National Geospatial Program US Topo Product Standard, 2011.
A metadata file associated with this product is draft version 0.6.1



Chews Ridge	Sycamore Flat	Paraiso Springs
Zigzag Creek	Junipero Serra Peak	Rellz Canyon
Lopez Point	Cone Peak	Bear Canyon



Check with local Forest Service unit for current travel conditions and restrictions.

JUNIPERO SERRA PEAK, CA
2012

ADJOINING 7.5 QUADRANGLES