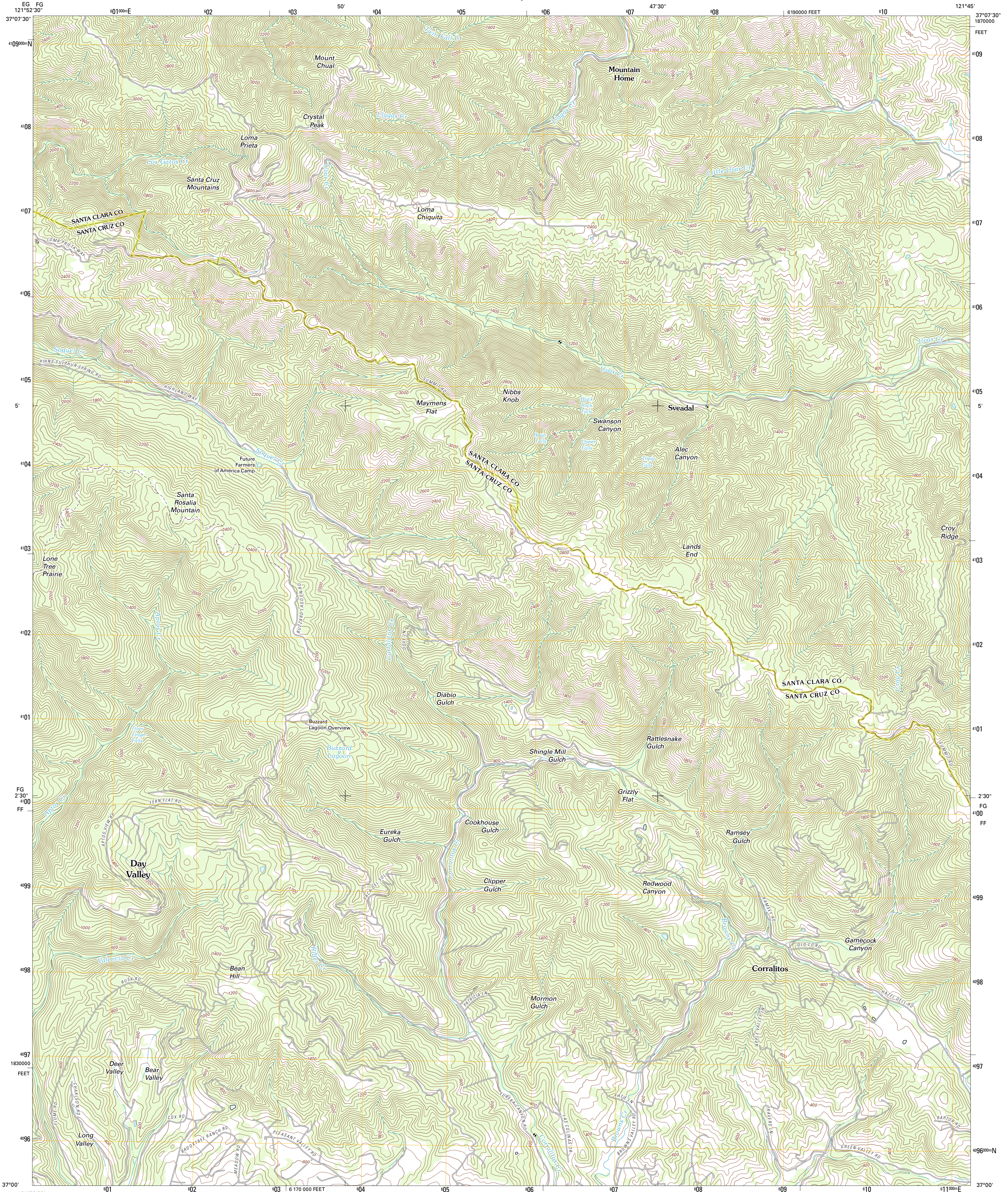




U.S. DEPARTMENT OF THE INTERIOR  
U. S. GEOLOGICAL SURVEY

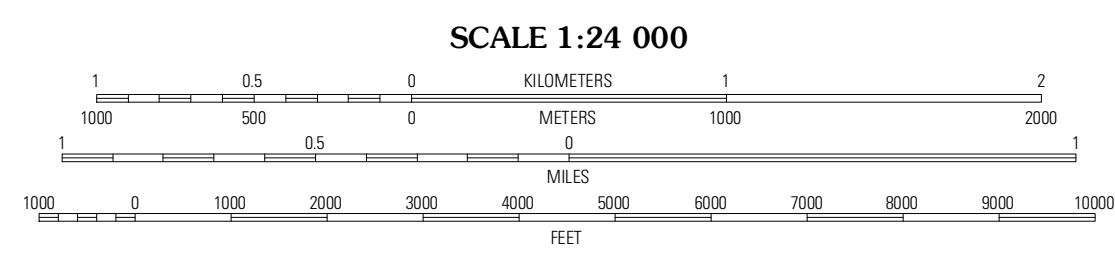
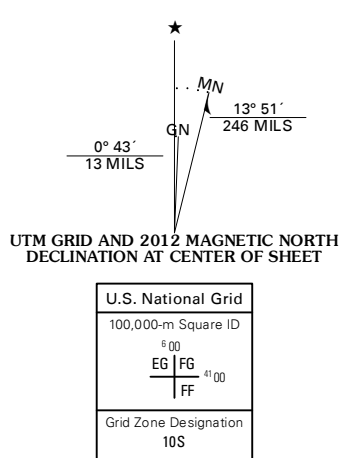


LOMA PRIETA QUADRANGLE  
CALIFORNIA  
7.5-MINUTE SERIES



Produced by the United States Geological Survey  
North American Datum of 1983 (NAD83)  
World Geodetic System of 1984 (WGS84). Projection and  
1 000-meter grid: Universal Transverse Mercator, Zone 10S  
10 000-foot ticks: California Coordinate System of 1983  
(zone 3)

Imagery.....NAIP, May 2010  
Roads.....©2006-2011 TomTom  
Names.....GNIS, 2011  
Hydrography.....National Hydrography Dataset, 2010  
Contours.....National Elevation Dataset, 1999  
Boundaries.....Census, BWC, IBC, USGS, 1972 - 2010



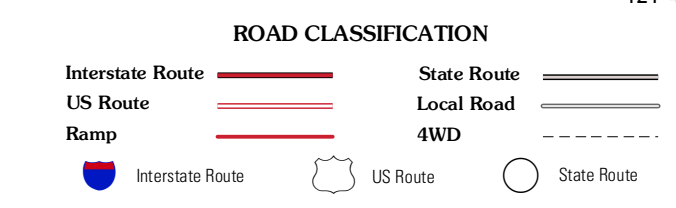
CONTOUR INTERVAL 40 FEET  
NORTH AMERICAN VERTICAL DATUM OF 1988

This map was produced to conform with the  
National Geospatial Program US Topo Product Standard, 2011.  
A metadata file associated with this product is draft version 0.6.1



QUADRANGLE LOCATION

Los Gatos	Santa Teresa Hills	Morgan Hill
Laurel	Loma Prieta	Mount Madonna
Soquel	Watsonville West	Watsonville East



LOMA PRIETA, CA  
2012

ADJOINING 7.5' QUADRANGLES