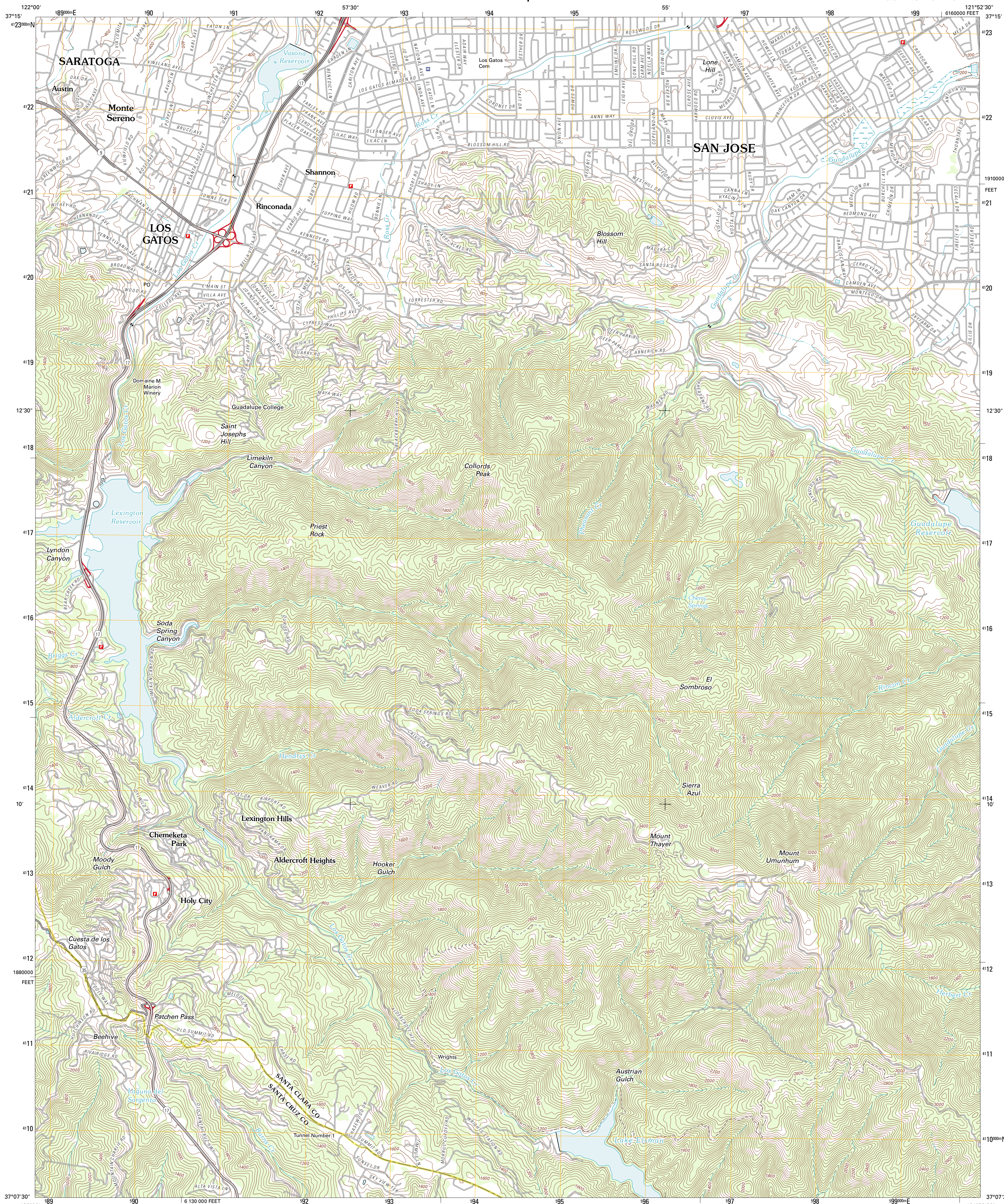




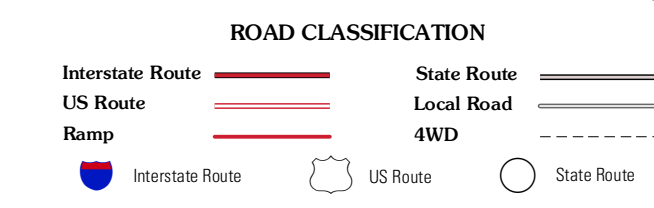
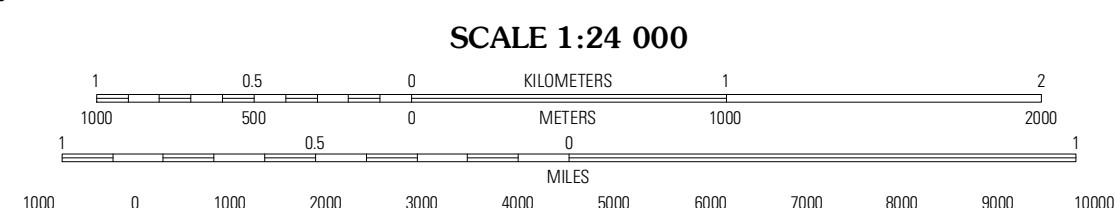
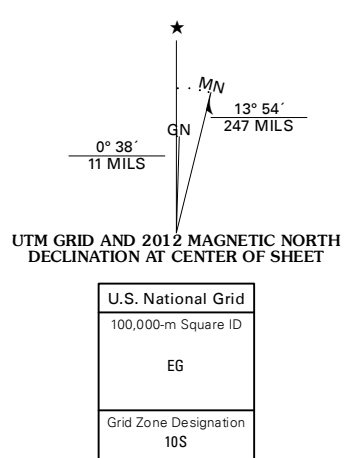
U.S. DEPARTMENT OF THE INTERIOR
U. S. GEOLOGICAL SURVEY



LOS GATOS QUADRANGLE
CALIFORNIA
7.5-MINUTE SERIES



Produced by the United States Geological Survey
North American Datum of 1983 (NAD83)
World Geodetic System of 1984 (WGS84). Projection and
10 000-foot ticks: California Coordinate System of 1983
(zone 3)



QUADRANGLE LOCATION

Cupertino	San Jose West	San Jose East
Castle Rock Ridge	Los Gatos	Santa Teresa Hills
Felton	Laurel	Loma Prieta

Imagery.....NAIP, May 2010
Roads.....©2006-2011 TomTom
Names.....GNIS, 2011
Hydrography.....National Hydrography Dataset, 2010
Contours.....National Elevation Dataset, 1999
Boundaries.....Census, BWC, BIC, USGS, 1972 - 2010

CONTOUR INTERVAL 40 FEET
NORTH AMERICAN VERTICAL DATUM OF 1988

This map was produced to conform with the
National Geospatial Program US Topo Product Standard, 2011.
A metadata file associated with this product is draft version 0.6.1

LOS GATOS, CA
2012

ADJOINING 7.5 QUADRANGLES