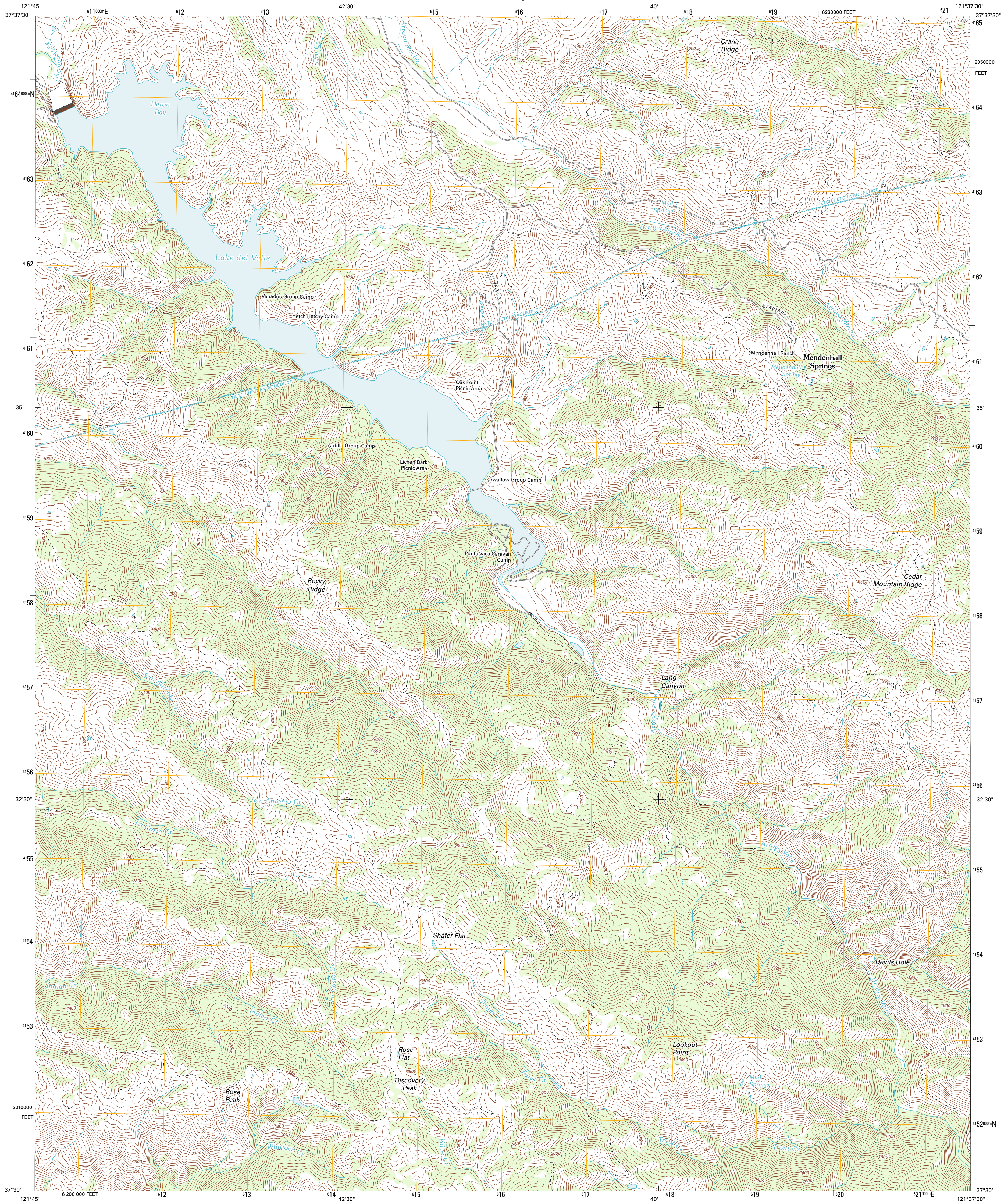




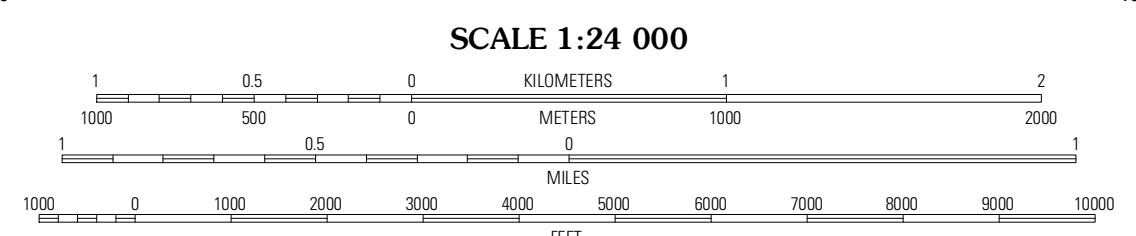
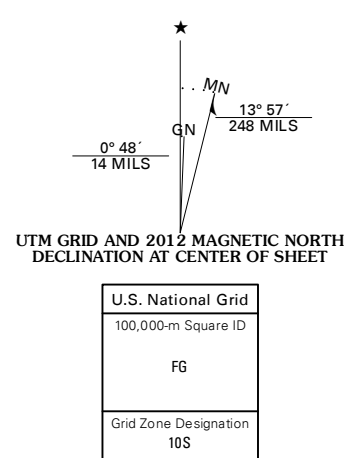
U.S. DEPARTMENT OF THE INTERIOR
U. S. GEOLOGICAL SURVEY



MENDENHALL SPRINGS QUADRANGLE
CALIFORNIA-ALAMEDA CO.
7.5-MINUTE SERIES



Produced by the United States Geological Survey
North American Datum of 1983 (NAD83)
World Geodetic System of 1984 (WGS84). Projection and
1 000-meter grid: Universal Transverse Mercator, Zone 10S
10 000-foot ticks: California Coordinate System of 1983
(zone 3)



CONTOUR INTERVAL 40 FEET
NORTH AMERICAN VERTICAL DATUM OF 1988

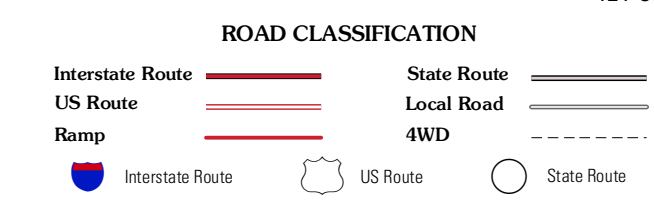
This map was produced to conform with the
National Geospatial Program US Topo Product Standard, 2011.
A metadata file associated with this product is draft version 0.6.1



QUADRANGLE LOCATION

Livermore	Altamont	Midway
La Costa Valley	Mendenhall Springs	Cedar Mountain
Calaveras Reservoir	Mount Day	Elyar Mountain

ADJOINING 7.5 QUADRANGLES



MENDENHALL SPRINGS, CA
2012