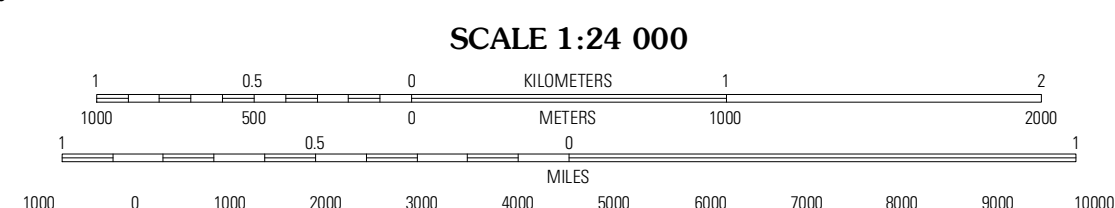
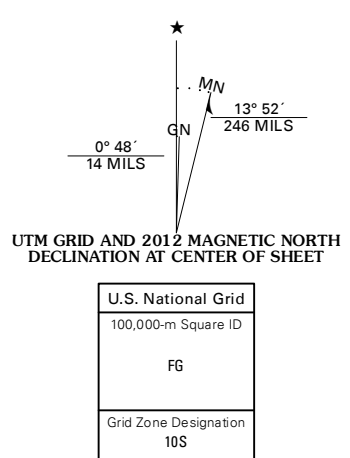
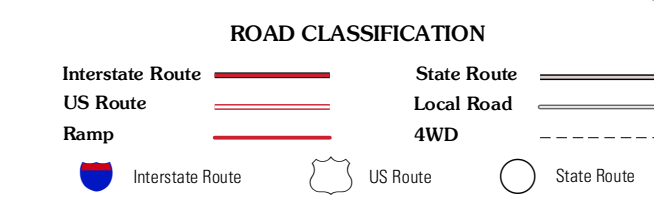


Produced by the United States Geological Survey  
North American Datum of 1983 (NAD83)  
World Geodetic System of 1984 (WGS84). Projection and  
1 000-foot ticks: California Coordinate System of 1983  
(zone 3)



CONTOUR INTERVAL 40 FEET  
NORTH AMERICAN VERTICAL DATUM OF 1988

This map was produced to conform with the  
National Geospatial Program US Topo Product Standard, 2011.  
A metadata file associated with this product is draft version 0.6.1



QUADRANGLE LOCATION

San Jose East	Lick Observatory	Isabel Valley
Santa Teresa Hills	Morgan Hill	Mount Stair
Loma Prieta	Mount Madonna	Gilroy

ADJOINING 7.5 QUADRANGLES