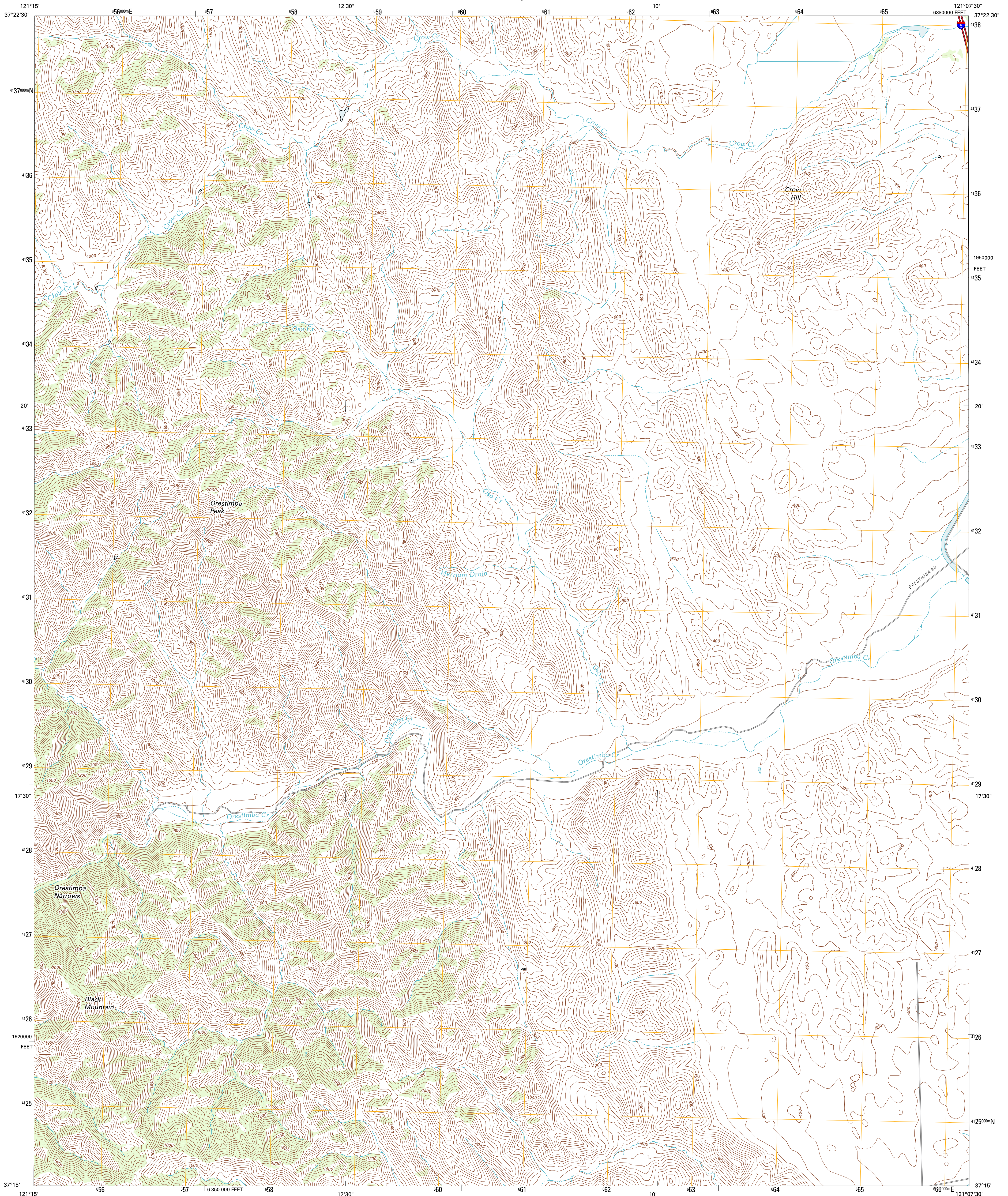




U.S. DEPARTMENT OF THE INTERIOR
U. S. GEOLOGICAL SURVEY

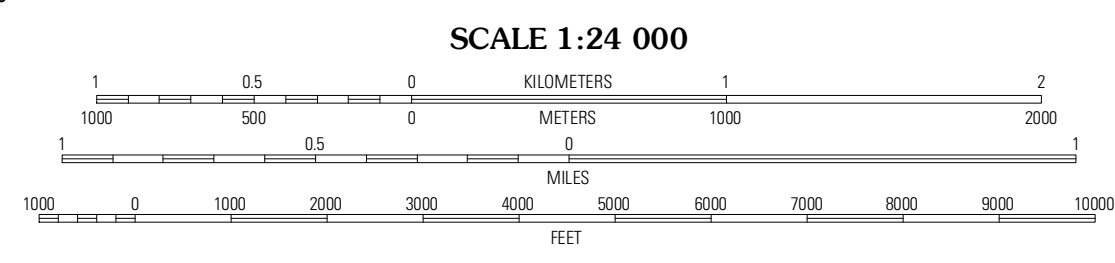
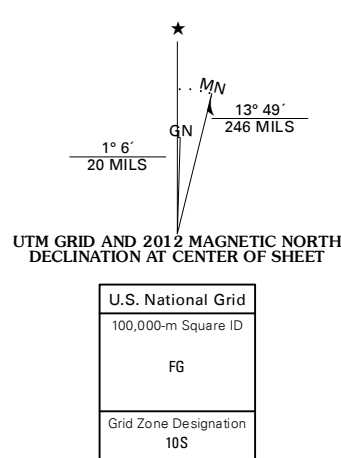


ORESTIMBA PEAK QUADRANGLE
CALIFORNIA-STANISLAUS CO.
7.5-MINUTE SERIES



Produced by the United States Geological Survey
North American Datum of 1983 (NAD83)
World Geodetic System of 1984 (WGS84). Projection and
1 000-meter grid: Universal Transverse Mercator, Zone 10S
10 000-foot ticks: California Coordinate System of 1983
(zone 3)

Imagery.....NAP, September 2010
Roads.....©2006-2011 TomTom
Names.....GNIS, 2011
Hydrography.....National Hydrography Dataset, 2010
Contours.....National Elevation Dataset, 2008
Boundaries.....Census, IBWC, IBC, USGS, 1972 - 2010

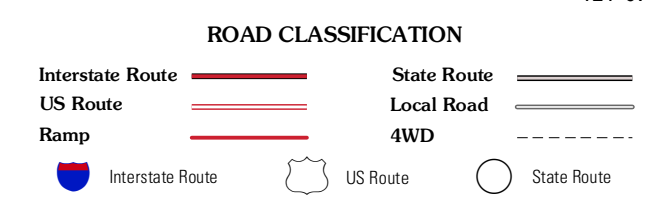


CONTOUR INTERVAL 40 FEET
NORTH AMERICAN VERTICAL DATUM OF 1988
This map was produced to conform with the
National Geospatial Program US Topo Product Standard, 2011.
A metadata file associated with this product is draft version 0.6.1



QUADRANGLE LOCATION

Copper Mountain	Patterson	Crows Landing
Wilcox Ridge	Orestimba Peak	Newman
Mustang Peak	Crescent Peak	Howard Ranch



ORESTIMBA PEAK, CA
2012

ADJOINING 7.5 QUADRANGLES