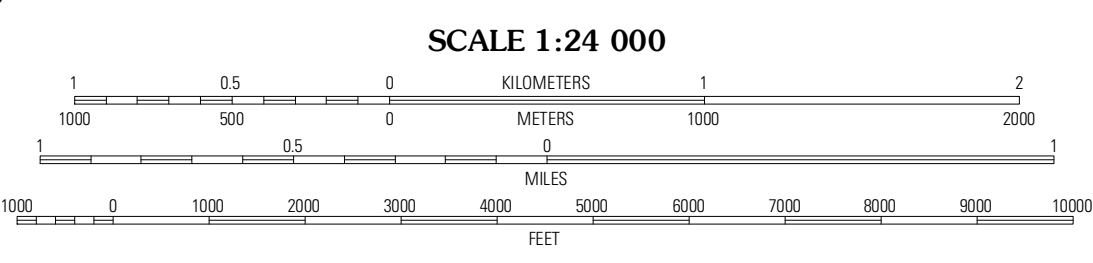
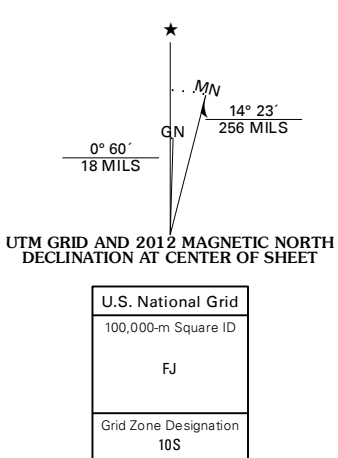


Produced by the United States Geological Survey
North American Datum of 1983 (NAD83)
World Geodetic System of 1984 (WGS84) Projection and
1 000-meter grid: Universal Transverse Mercator, Zone 10S
10 000-foot ticks: California Coordinate System of 1983
(zone 2)

Imagery.....NIP, July 2010
Roads.....©2006-2011 TomTom
Names.....©2011 GNS, 2011
Hydrography.....National Hydrography Dataset, 2010
Contours.....National Elevation Dataset, 2003
Boundaries.....Census, IBWC, IBC, USGS, 1972 - 2010

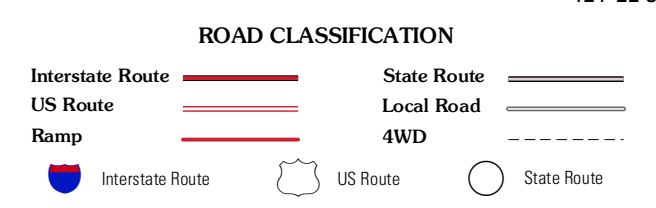


CONTOUR INTERVAL 40 FEET
NORTH AMERICAN VERTICAL DATUM OF 1988
This map was produced to conform with the
National Geospatial Program US Topo Product Standard, 2011.
A metadata file associated with this product is draft version 0.6.1



QUADRANGLE LOCATION

Cherokee	Berry Creek	Brush Creek
Oroville	Oroville Dam	Forbestown
Pulermo	Bangor	Rackeryby



OROVILLE DAM, CA
2012

ADJOINING 7.5' QUADRANGLES