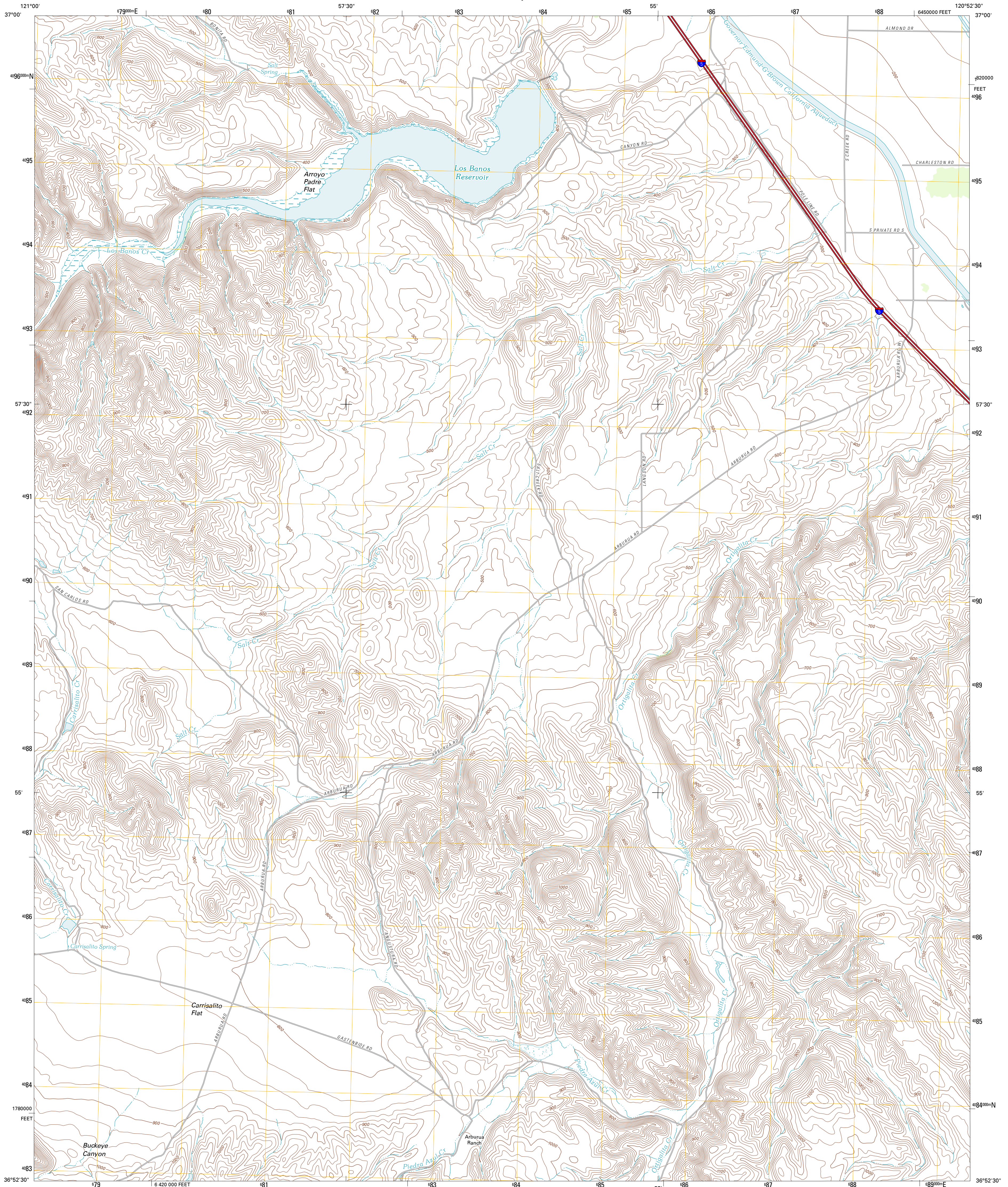




U.S. DEPARTMENT OF THE INTERIOR  
U. S. GEOLOGICAL SURVEY

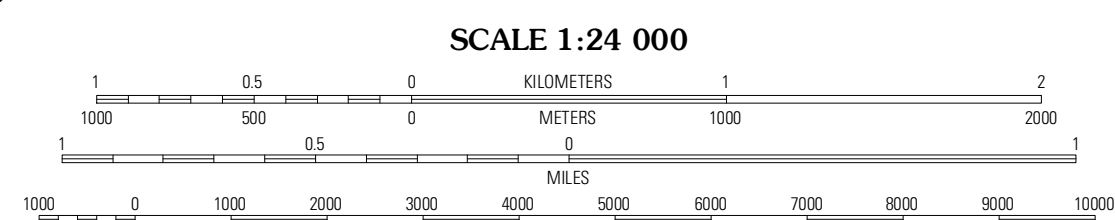
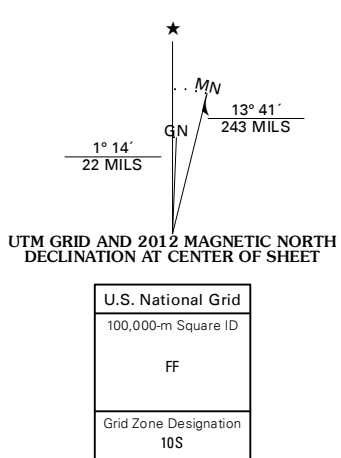


ORTIGALITA PEAK NW QUADRANGLE  
CALIFORNIA-MERCED CO.  
7.5-MINUTE SERIES



Produced by the United States Geological Survey  
North American Datum of 1983 (NAD83)  
World Geodetic System of 1984 (WGS84). Projection and  
1:000-meter grid. Universal Transverse Mercator, Zone 10S  
10 000-foot ticks: California Coordinate System of 1983  
(zone 3)

Imagery.....NAIP, September 2010  
Roads.....©2006-2011 TomTom  
Names.....GNIS, 2011  
Hydrography.....National Hydrography Dataset, 2010  
Contours.....National Elevation Dataset, 2008  
Boundaries.....Census, IBWC, IBC, USGS, 1972 - 2010

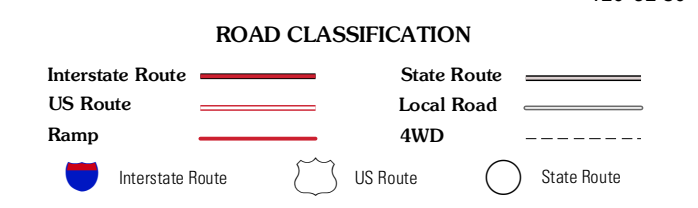


CONTOUR INTERVAL 20 FEET  
NORTH AMERICAN VERTICAL DATUM OF 1988  
This map was produced to conform with the  
National Geospatial Program US Topo Product Standard, 2011.  
A metadata file associated with this product is draft version 0.6.1



QUADRANGLE LOCATION

San Luis Dam	Volta	Los Banos
Los Banos Valley	Ortigalita Peak NW	Charleston School
Ruby Canyon	Ortigalita Peak	Laguna Seca Ranch



ORTIGALITA PEAK NW, CA  
2012

ADJOINING 7.5' QUADRANGLES