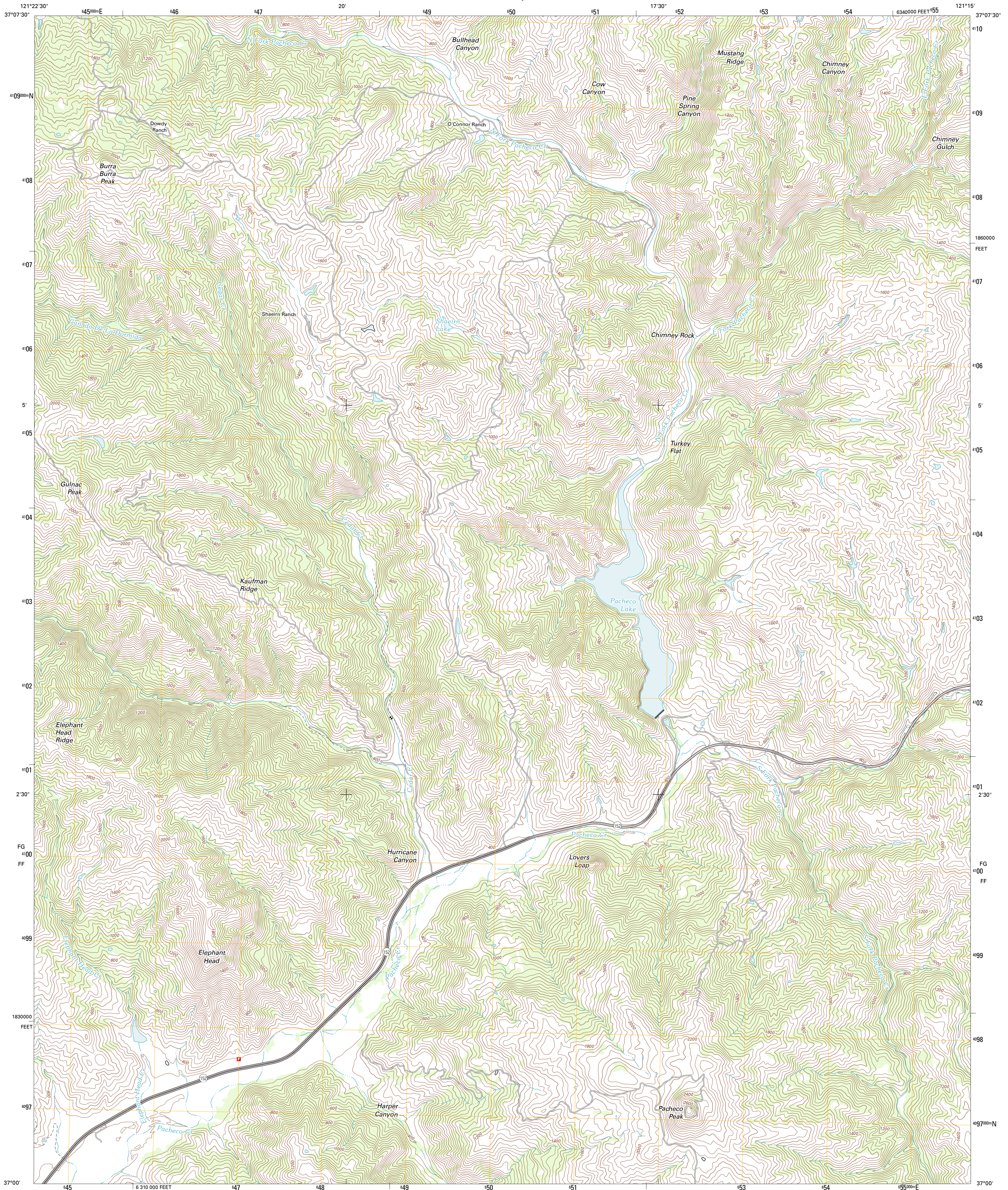




U.S. DEPARTMENT OF THE INTERIOR
U. S. GEOLOGICAL SURVEY

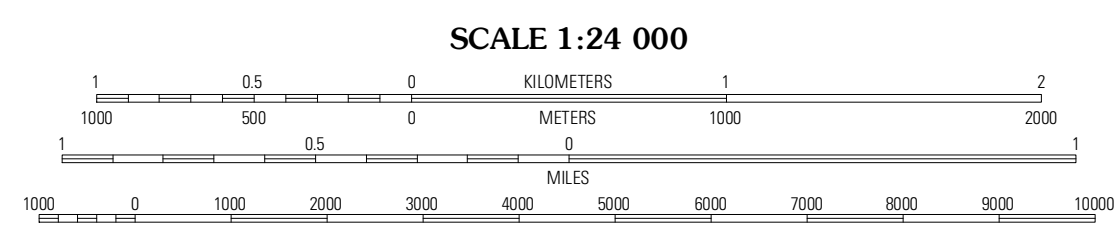
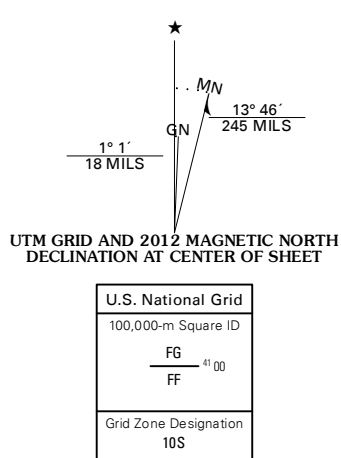


PACHECO PEAK QUADRANGLE
CALIFORNIA-SANTA CLARA CO.
7.5-MINUTE SERIES



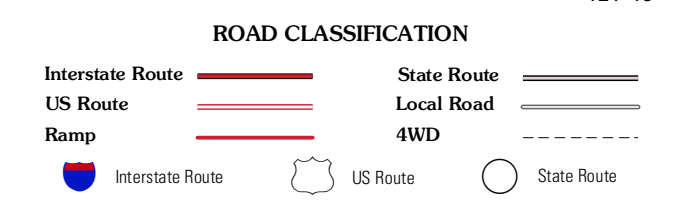
Produced by the United States Geological Survey
North American Datum of 1983 (NAD83)
World Geodetic System of 1984 (WGS84). Projection and
10 000-meter grid: Universal Transverse Mercator, Zone 10S
10 000-foot ticks: California Coordinate System of 1983
(zone 3)

Imagery.....N.A.I.P., July 2010
Roads.....©2006-2011 TomTom
Names.....GNIS, 2011
Hydrography.....National Hydrography Dataset, 2010
Contours.....National Elevation Dataset, 2008
Boundaries.....Census, BWC, IBC, USGS, 1972 - 2010



CONTOUR INTERVAL 40 FEET
NORTH AMERICAN VERTICAL DATUM OF 1988

This map was produced to conform with the
National Geospatial Program US Topo Product Standard, 2011.
A metadata file associated with this product is draft version 0.6.1



QUADRANGLE LOCATION

Mississippi Creek	Mustang Peak	Creston Peak
Gilroy Hot Springs	Pacheco Peak	Pacheco Pass
San Felipe	Three Sisters	Mariposa Peak

PACHECO PEAK, CA
2012

ADJOINING 7.5 QUADRANGLES