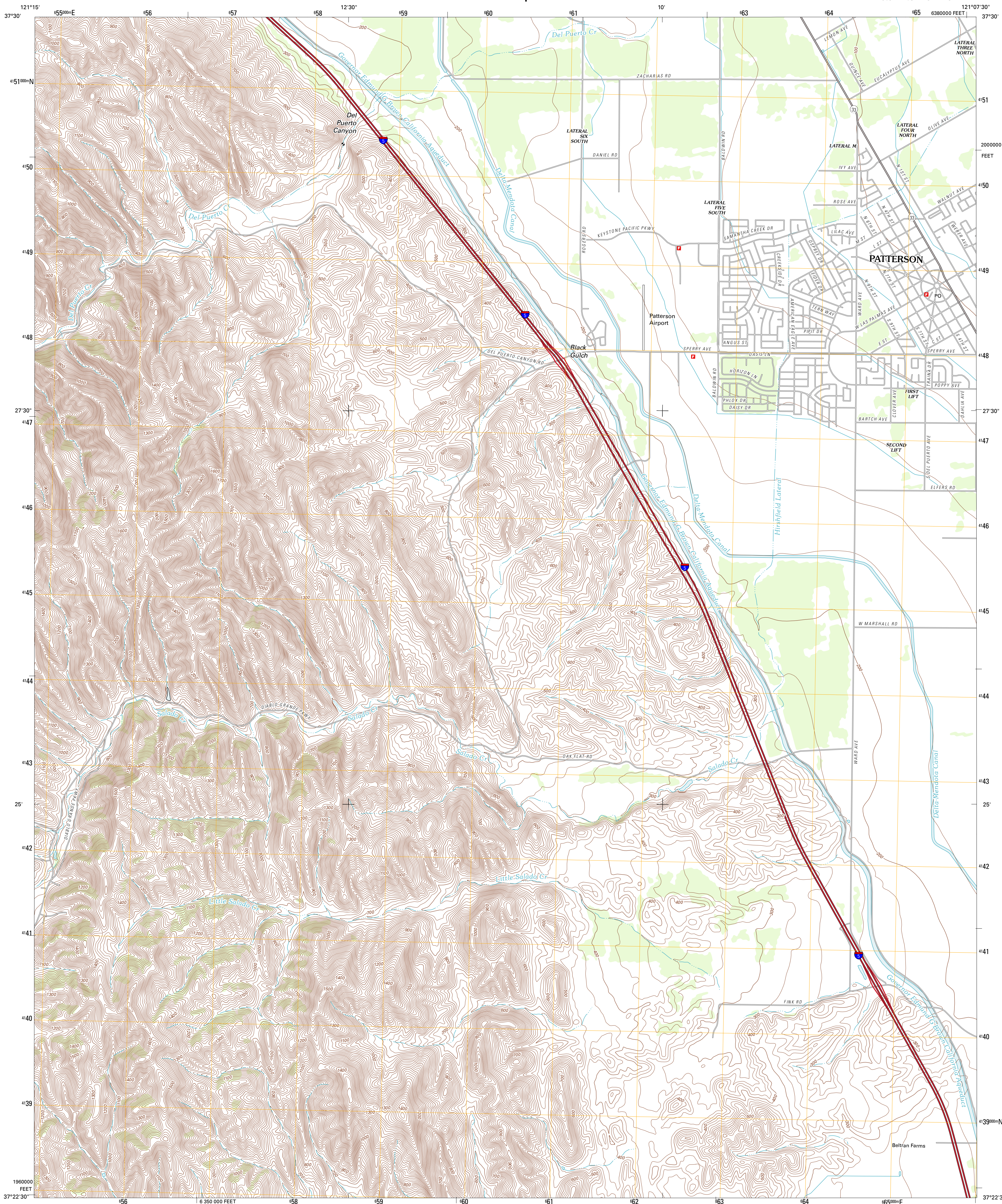




U.S. DEPARTMENT OF THE INTERIOR  
U. S. GEOLOGICAL SURVEY

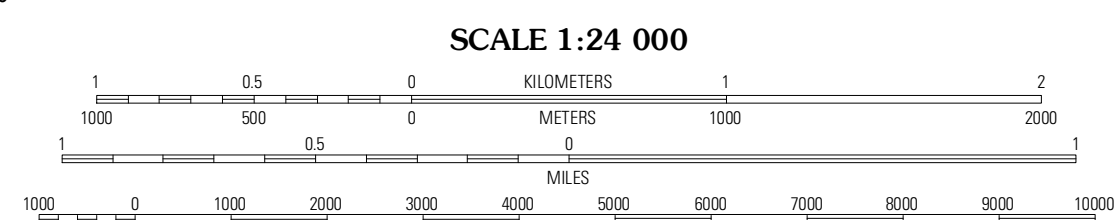
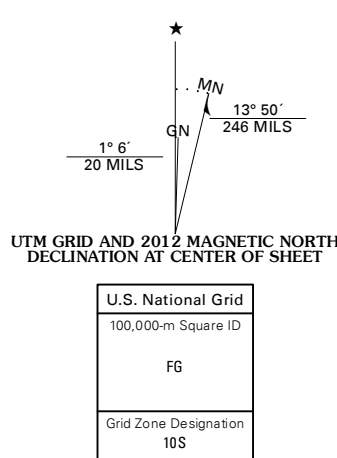


PATTERSON QUADRANGLE  
CALIFORNIA-STANISLAUS CO.  
7.5-MINUTE SERIES



Produced by the United States Geological Survey  
North American Datum of 1983 (NAD83)  
Roads: ©2006-2011 TomTom  
World Geodetic System of 1984 (WGS84). Projection and  
1 000-meter grid: Universal Transverse Mercator, Zone 10S  
10 000-foot ticks: California Coordinate System of 1983  
(zone 3)

Imagery: NAIP, September 2010  
Roads: ©2006-2011 TomTom  
Names: ©2006-2011 TomTom  
Hydrography: National Hydrography Dataset, 2010  
Contours: National Elevation Dataset, 2008  
Boundaries: Census, IBVC, IBC, USCS, 1972 - 2010

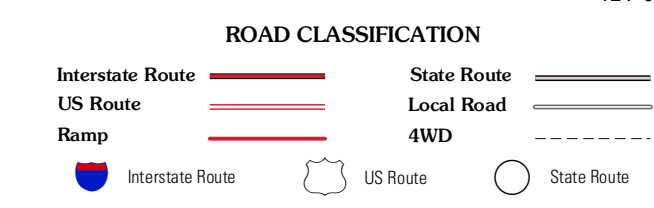


CONTOUR INTERVAL 20 FEET  
NORTH AMERICAN VERTICAL DATUM OF 1988  
This map was produced to conform with the  
National Geospatial Program US Topo Product Standard, 2011.  
A metadata file associated with this product is draft version 0.6.1



QUADRANGLE LOCATION

Solyo	Westley	Brush Lake
Copper Mountain	Patterson	Crows Landing
Wilcox Ridge	Orestimba Peak	Newman



PATTERSON, CA  
2012

ADJOINING 7.5 QUADRANGLES