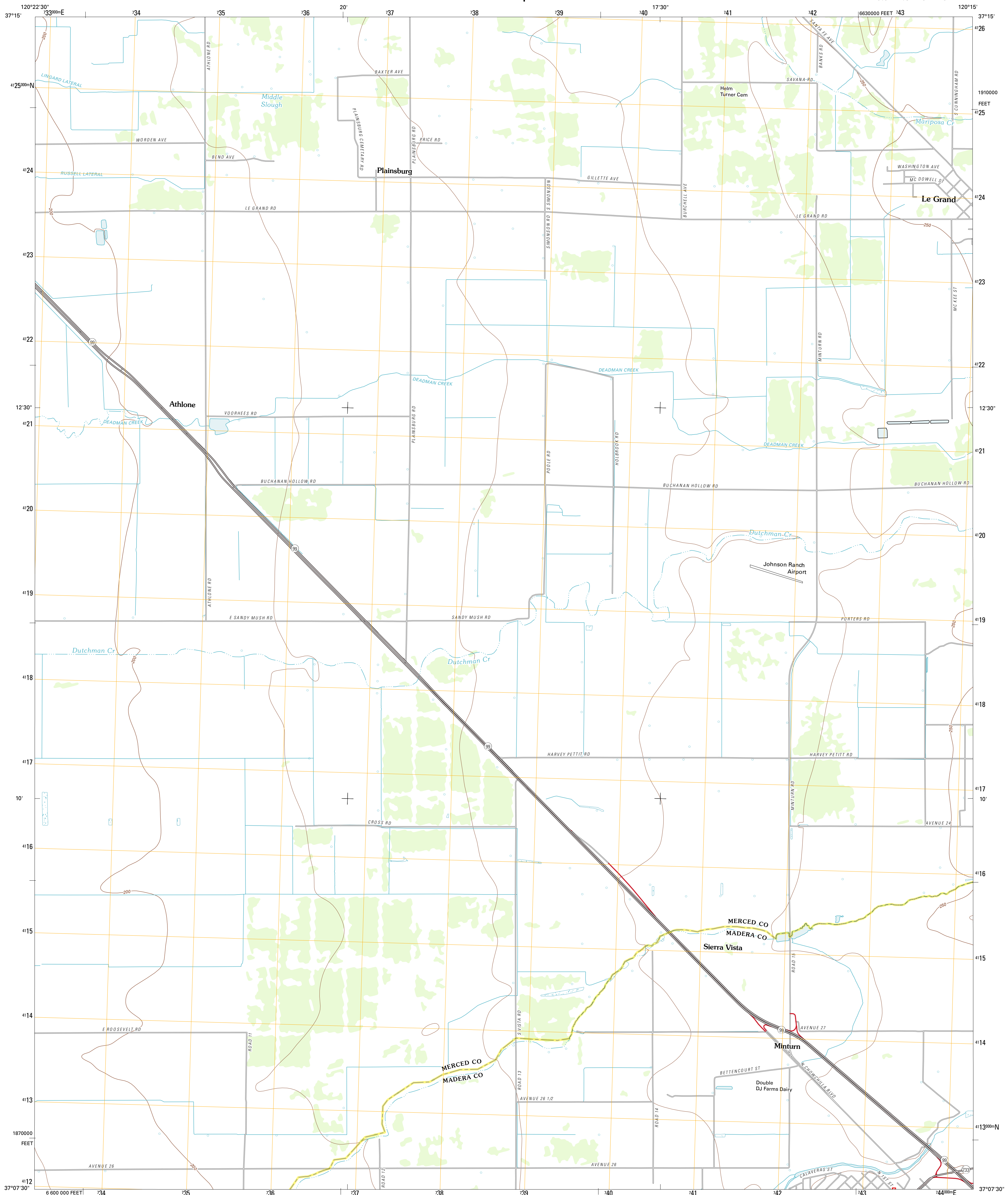




U.S. DEPARTMENT OF THE INTERIOR  
U. S. GEOLOGICAL SURVEY

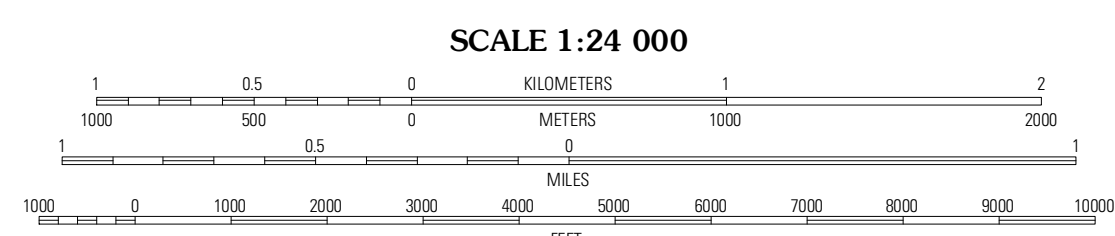
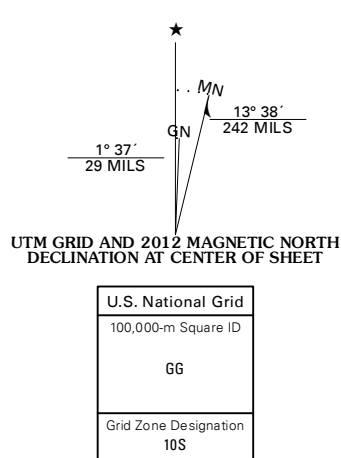


PLAINSBURG QUADRANGLE  
CALIFORNIA  
7.5-MINUTE SERIES



Produced by the United States Geological Survey  
North American Datum of 1983 (NAD83)  
World Geodetic System of 1984 (WGS84). Projection and  
1 000-meter grid: Universal Transverse Mercator, Zone 10S  
10 000-foot ticks: California Coordinate System of 1983  
(zone 3)

Imagery.....NAIP, July 2010  
Roads.....©2006-2011 TomTom  
Names.....GNIS, 2011  
Hydrography.....National Hydrography Dataset, 2010  
Contours.....National Elevation Dataset, 2008  
Boundaries.....Census, IBWC, IBC, USGS, 1972 - 2010



CONTOUR INTERVAL 10 FEET  
NORTH AMERICAN VERTICAL DATUM OF 1988  
This map was produced to conform with the  
National Geospatial Program US Topo Product Standard, 2011.  
A metadata file associated with this product is draft version 0.6.1



QUADRANGLE LOCATION

Merced	Planada	Owens Reservoir
El Nido	Plainsburg	Le Grand
Bloss Ranch	Chowchilla	Berenda

ADJOINING 7.5 QUADRANGLES

ROAD CLASSIFICATION

Interstate Route	State Route
US Route	Local Road
Ramp	4WD

PLAINSBURG, CA  
2012